



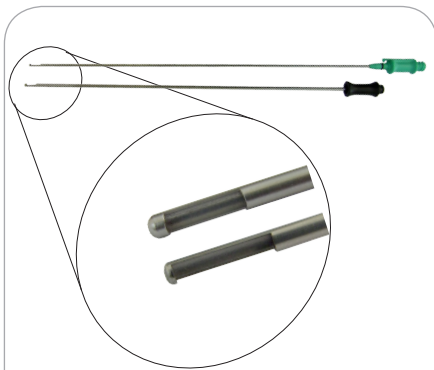
***Biopsy Instruments***  
***for Functional Neurosurgery***

inomed Medizintechnik GmbH extends its range of biopsy instruments applicable for the human brain.

The instruments are compatible with the following stereotactic systems:

- Zamorano and Duchovny (ZD)
- Riechert Munding (RM)
- Leksell®
- Micromar
- other stereotactic systems on request

According to your stereotactic system, the following biopsy instruments are available:



### **Disposable Biopsy Probes (by Sedan)**

**805 601**

Biopsy probe for ZD 2.5 mm  
working length 190 mm

**805 602**

Biopsy probe for RM 2.5 mm  
working length 280 mm

**805 603**

Biopsy probe for Micromar 2.5 mm  
working length 243 mm

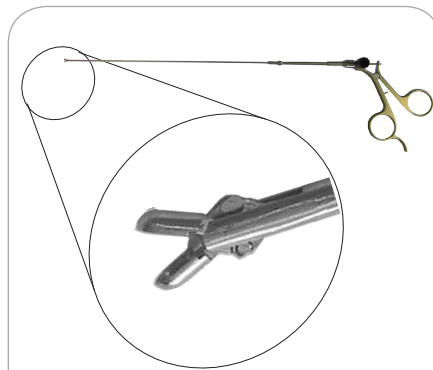
### **Reusable Biopsy Probes (by Sedan)**

**801 540**

Biopsy probe for RM 2.5 mm  
working length 280 mm

**802 534**

Biopsy probe for ZD 2.5 mm  
working length 190 mm



### **Reusable Biopsy Forceps**

**801 050**

Biopsy Set for RM 1.0 mm  
working length 280 mm

**801 055**

Biopsy Set for RM 1.6 mm  
working length 280 mm

**802 050**

Biopsy Set for ZD 1.0 mm  
working length 190 mm

**802 055**

Biopsy Set for ZD 1.6 mm  
working length 190 mm

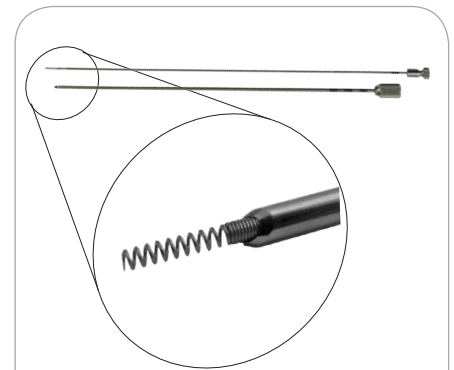
**804 050**

Biopsy Set for Micromar 1.0 mm  
working length 240 mm

**804 055**

Biopsy Set for Micromar 1.6 mm  
working length 240 mm

The Biopsy Sets include a Biopsy Forcep,  
the Guide Tube and a Sterilisation Box.



### **Reusable Spiral Probes (by Backlund)**

**801 536**

Spiral probe for RM 1.6 mm  
working length 280 mm

**802 532**

Spiral probe for ZD 1.6 mm  
working length 190 mm



DQS Certified Management System  
for DIN EN ISO 13485:2003



0297

inomed Medizintechnik GmbH  
Im Hausgruen 29  
79312 Emmendingen (GERMANY)  
Tel.: +49 7641 94 14-0  
Fax: +49 7641 94 14-94  
info@inomed.com  
www.inomed.com