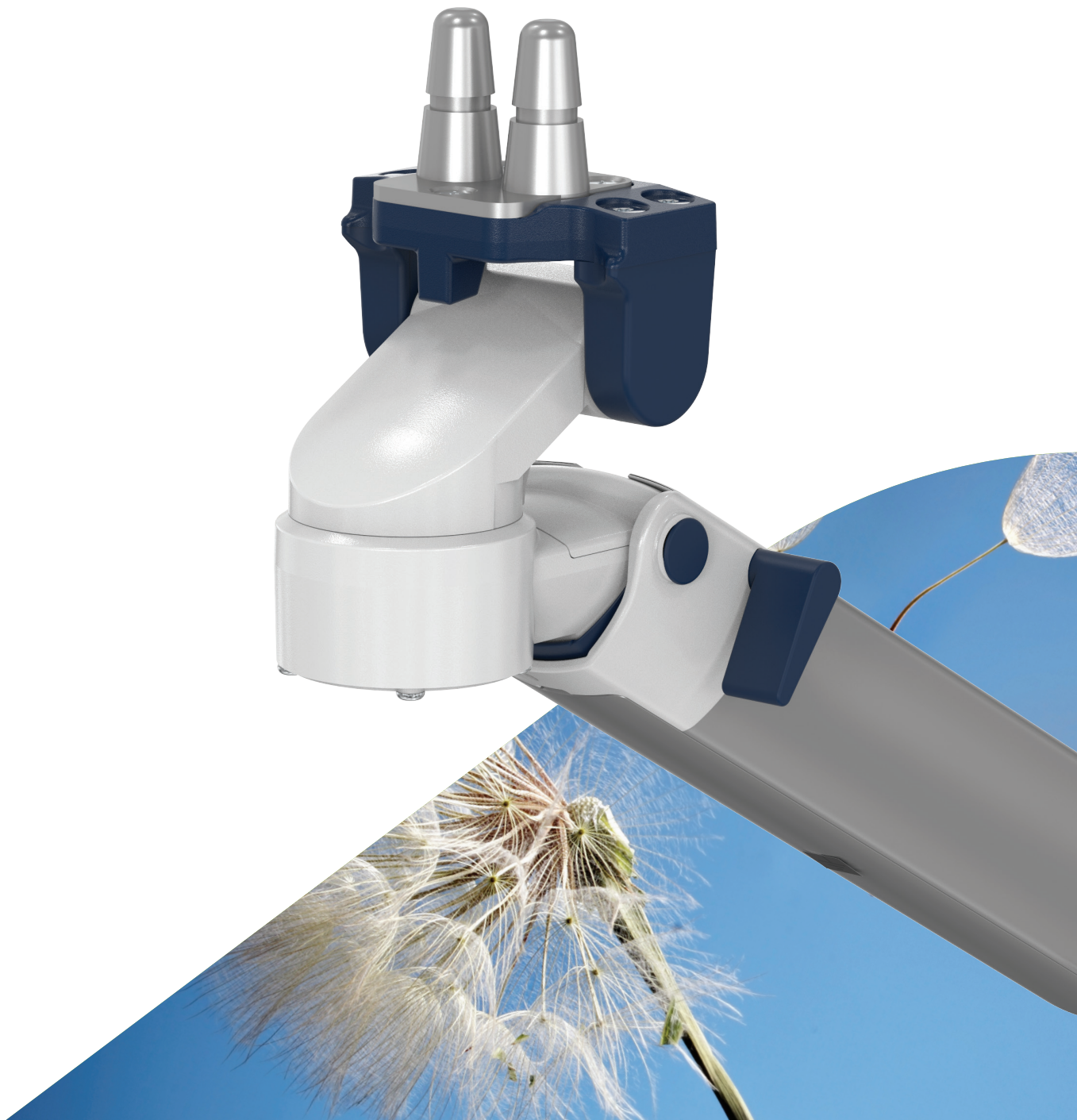




MOUNTING REFERENCE GUIDE

# Philips Monitoring IntelliVue Series

CIM Cable Integrated Mounting System



# Content

---

<b>General notes</b>	<b>3</b>
<b>How to create part numbers</b>	<b>4</b>
<b>Product highlights</b>	<b>6</b>
<b>Support arm pivot</b>	<b>7</b>
<b>Extended pivot arm light</b>	<b>9</b>
<b>Extended pivot arm</b>	<b>11</b>
<b>Height adjustable arm</b>	<b>13</b>
<b>Extended height adjustable arm</b>	<b>15</b>
<b>High position height adjustable arm</b>	<b>17</b>
<b>Extended high position height adjustable arm</b>	<b>19</b>
<b>Counter top</b>	<b>21</b>
<b>Cart light duty</b>	<b>23</b>
<b>Support arm pivot for FMS</b>	<b>25</b>
<b>Extended pivot arm light for FMS</b>	<b>27</b>
<b>Down post for IntelliVue FMS</b>	<b>29</b>
<b>Mount for MP2 / X2 / X3</b>	<b>30</b>
<b>Support arm pivot for MP2 / X2 / X3</b>	<b>31</b>
<b>Extended pivot arm light for MP2 / X2 / X3</b>	<b>33</b>
<b>Fixings</b>	<b>35</b>
<b>Fixings for anaesthesia machines</b>	<b>36</b>

## General notes

---

### Monitor Adaptations

All mounting systems for **Philips IntelliVue series** are prepared to accept the Philips table top mount.

Mounting solutions for **MP 80/90** are shown in the catalogue “VESA 75/100 adaptation”.

Mounting solutions for the **Sure Signs / Vital Signs** are shown in the catalogue “5” plunge plate adaptation”.

### Please note!

The Philips table top mount must be ordered separately by Philips.

### Components' grounding

All arms with integrated cable management are equipped with **component grounding**. No grounding is required for arms with external or semi-integrated cable management with cables not being led through joints.

### Load capacity

All **height adjustable arms** have a load capacity of 22 kg / 48.5 lbs. Rear mounted monitor adaptations and horizontally mounted 5” plunge plates accept a maximum monitor weight of 18 kg / 39.7 lbs. An additional 4 kg / 8.8 lbs may be mounted on a down post underneath the front swivel part. Depending on material and tensile factor all weight indications have a 4-fold and / or 6-fold safety factor according to EN 60601-1, 3rd Edition regulations.

### Custom-designed solutions and MRI applications

Please contact us for **custom-designed** solutions.

### Product marking

All CIM products are CE marked. As **medical product risk class 1** and they conform with the regulations MDD 93/42 ECC and EN 60601-1, 3rd Edition. TUEV reports for numerous products especially for anaesthesia applications guarantee electrical and mechanical safety of our products and are available upon request.



# How to create part numbers

Part numbers can be easily created by following the steps below:

Please replace the letters in **green** with the part no. code as per your requirements.

## 1. Components' grounding:

A = grounded

## 2. Choose the arm version required:

224PH / 230PH	=	pivot arm
33030PH	=	extended pivot arm light
H33030PH	=	extended pivot arm
431PH	=	height adjustable arm
73130PH	=	extended height adjustable arm
531PH	=	high position height adjustable arm
83130PH	=	extended high position height adjustable arm
224FMS / 230FMS	=	pivot arm, FMS interface
32424FMS / 33030FMS	=	extended pivot arm light, FMS interface
224MP2 / 230MP2	=	pivot arm, MP2/ X2/ X3 interface
224MP2PS / 230MP2PS	=	pivot arm, MP2/ X2/ X3 interface with power supply enclosure
33030MP2	=	extended pivot arm light, MP2/ X2/ X3 interface
33030MP2PS	=	extended pivot arm light, MP2/ X2/ X3 interface with power supply

## 3. Specify where you want to mount the arm and select the fixing (Y):

1V	=	pole ø 23 - 40 mm / 0.9 - 1.6"
1	=	pole ø 25 mm / 1.0"
1F	=	pole ø 35 mm / 1.4"
1C	=	pole ø 38 mm / 1.5"
2F	=	horizontal rails 10 x 25, 8 x 35, 10 x 30, 10 x 50 mm
3	=	vertical rail 10 x 25 mm
3DR	=	dual vertical rails, distance 150 mm/ 5.9"
3TX	=	dual vertical rails, distance 225 mm/ 8.9"
4V	=	vertical wall channel
4U	=	vertical wall channel for arms with high mounting position
	=	anaesthesia machine with existing channel
13	=	Mindray medical supply units
17	=	Amico pendants & headwalls
9	=	Löwenstein Medical anaesthesia machine
10	=	Maquet FLOW i anaesthesia machine

## How to create part numbers

---

### 4. Choose the colour requested for decorative parts (C):

gr = RAL 7024 (dark grey)  
 bl = RAL 5013 (blue)

### 5. Choose the colour requested for the aluminium die-cast parts (D):

1 = RAL 9016 (pure white)  
 2 = RAL 9002 (grey white)

### 6. Specify the spring depending on the weight of your monitor/ device - only with height adjustable arms (X):

60 = 2 - 5 kg / 4.4 - 11 lbs  
 95 = 4 - 9 kg / 8.8 - 19.8 lbs  
 130 = 7,5 - 13 kg / 16.5 - 28.7 lbs  
 175 = 13 - 16 kg / 28.7 - 35.3 lbs  
 220 = 16 - 22 kg / 35.3 - 48.5 lbs

---

## Example

01 Grounding		02 Arm version		03 Fixing		04 & 05 Colour		06 Spring tension
A	-	431PH	-	Y	.	CD	-	X
A	-	431PH	-	4V	.	gr1	-	95



## Product highlights

---

### Non-height adjustable arm

Pivot and extended pivot arms offer **full cable integration** and easy cleaning for **infection control** in all critical care areas in the clinical environment. Our **5-years warranty** guarantees reliable, trouble-free and maintenance-free operation. The swivel function at the fixing point as well as the **tilt/ swivel function** of the monitor adaptation offers optimum positioning of your device. The extended pivot arm is a two-part arm with central pivot point between the two arm sections. All bottom-mounted monitors have the safety feature of a **20° tilt stop**.

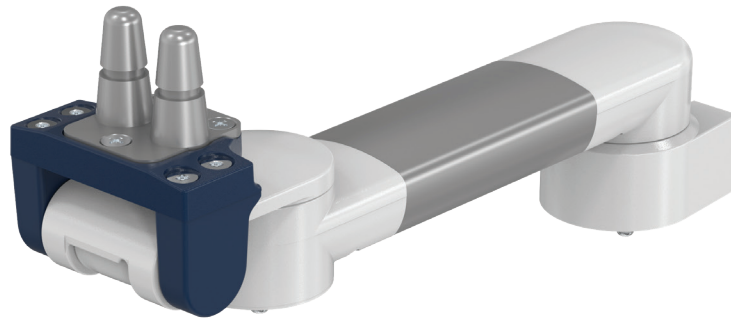
### Height adjustable arm

The height adjustable arm offers **full cable integration**, one-wipe clean surfaces and our **5-year warranty** on the entirety of the product. Vertically and horizontally adjustable, the arm offers optimal positioning of your device. A constant viewing angle when vertically adjusted is guaranteed by a parallel linkage. **Weight-optimized springs counter-balance** the monitor without making any adjustments. All bottom-mounted monitors have the safety feature of a **20° tilt stop**. Individual rotational stops may be integrated in any joint.

To provide the perfect combination of arm and monitor, the CIM articulated height adjustable arm has a simple quarter-turn lock to hold the arm safely in position when removing the monitor. Furthermore the arm is equipped with the unique safety feature of a slow-release gas spring. Should anybody try to remove the monitor before locking the arm in position, the arm will only rise at a slow and even tempo.

SAFETY

# Support arm pivot



**Monitor adaption**

prepared to accept Philips table top mount

**Colours to choose**

decorative parts RAL 5013 blue / RAL 7024 dark grey  
 aluminum parts RAL 9016 pure white / RAL 9002 grey white

**Max. load capacity support arm**

18 kg / 39.7 lbs

**Max. load monitor adaptation**

18 kg / 39.7 lbs

**Product weight**

240 mm / 9.5": 1.8 kg / 4.0 lbs    300 mm / 11.8": 1.9 kg / 4.2 lbs

**Part number**

arm length 240 mm / 9.5"  
 A-224PH-Y.CD

arm length 300 mm / 11.8"  
 A-230PH-Y.CD

**Fixings**

Y | details page 35 and 36



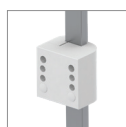
4V

Adapter for vertical wall channel



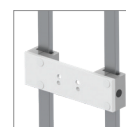
2F

Fixed rail clamp



3

Vertical rail clamp



3DR  
3TX

Dual vertical rail clamp



1  
1F  
1C  
1V

Fixed / universal pole clamp



13

Adapter for Mindray medical supply units



17

Adapter for Amico pendants & headwalls



10

Adapter for Maquet anaesthesia machines



9

Adapter for Löwenstein Medical anaesthesia machines



4U

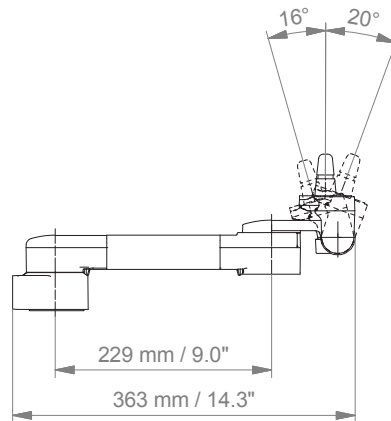
Adapter for anaesthesia machines with existing side channel

# Support arm pivot

Technical data - arm length 300 mm / 11.8"

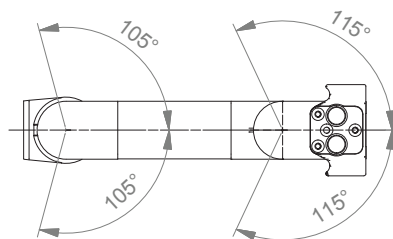
---

## SIDE VIEW



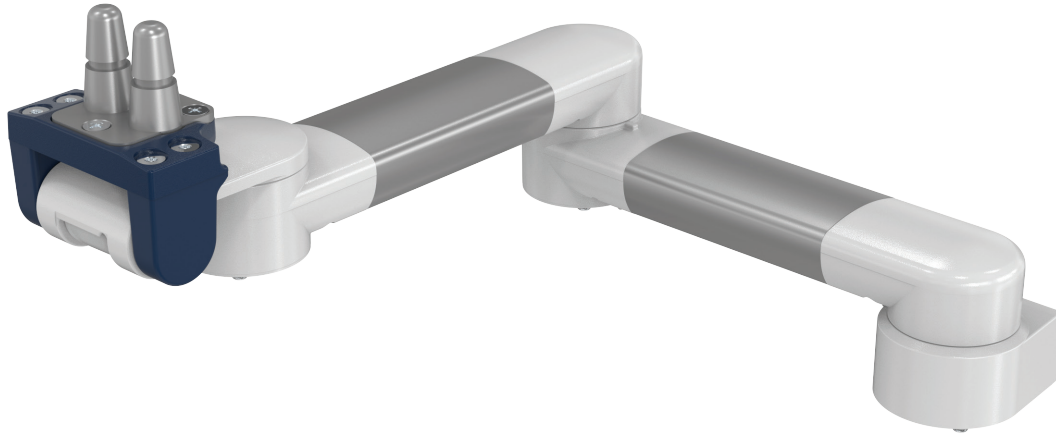
---

## TOP VIEW





# Extended pivot arm light



**Monitor adaption**

prepared to accept Philips table top mount

**Colours to choose**

decorative parts RAL 5013 blue / RAL 7024 dark grey  
 aluminum parts RAL 9016 pure white / RAL 9002 grey white

**Max. load capacity support arm**

8 kg / 17.6 lbs

**Max. load monitor adaptation**

8 kg / 17.6 lbs

**Product weight**

2.7 kg / 5.9 lbs

**Part number**

A-33030PH-Y.CD

## Fixings

Y | details page 35 and 36



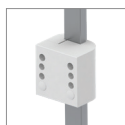
4V

Adapter for vertical wall channel



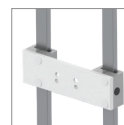
2F

Fixed rail clamp



3

Vertical rail clamp



3DR  
3TX

Dual vertical rail clamp



1  
1F  
1C  
1V

Fixed / universal pole clamp



13

Adapter for Mindray medical supply units



17

Adapter for Amico pendants & headwalls



10

Adapter for Maquet anaesthesia machines



9

Adapter for Löwenstein Medical anaesthesia machines



4U

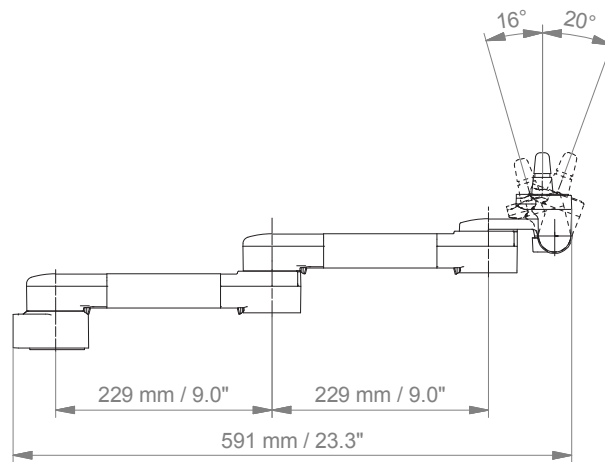
Adapter for anaesthesia machines with existing side channel

# Extended pivot arm light

## Technical data

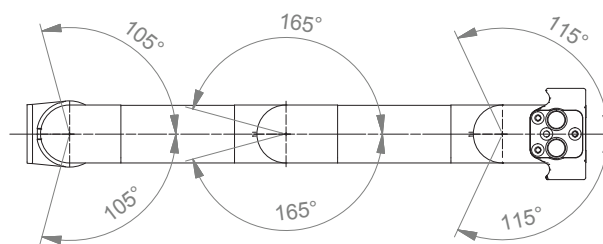
---

### SIDE VIEW

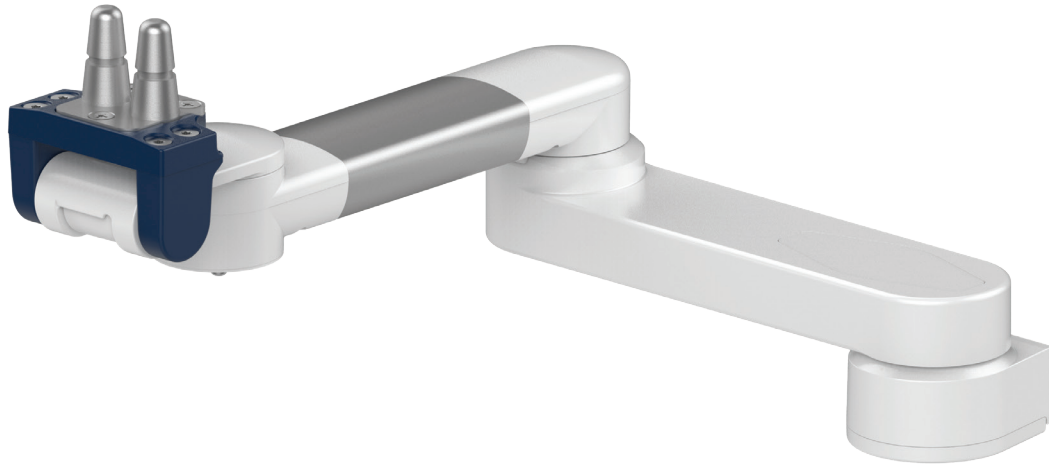


---

### TOP VIEW



# Extended pivot arm



**Monitor adaption**

prepared to accept Philips table top mount

**Colours to choose**

decorative parts RAL 5013 blue / RAL 7024 dark grey  
 aluminum parts RAL 9016 pure white / RAL 9002 grey white

**Max. load capacity support arm**

18 kg / 39.7 lbs

**Max. load monitor adaptation**

18 kg / 39.7 lbs

**Product weight**

2.9 kg/ 6.4 lbs

**Part number**

A-H33030PH-Y.CD

**Fixings**

Y | details page 35 and 36



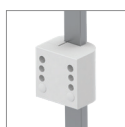
4V

Adapter for vertical wall channel



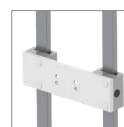
2F

Fixed rail clamp



3

Vertical rail clamp



3DR  
3TX

Dual vertical rail clamp



1  
1F  
1C  
1V

Fixed / universal pole clamp



13

Adapter for Mindray medical supply units



17

Adapter for Amico pendants & headwalls



10

Adapter for Maquet anaesthesia machines



9

Adapter for Löwenstein Medical anaesthesia machines



4U

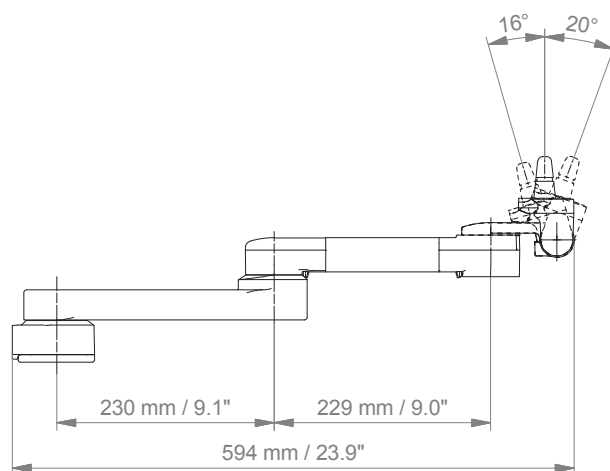
Adapter for anaesthesia machines with existing side channel

# Extended pivot arm

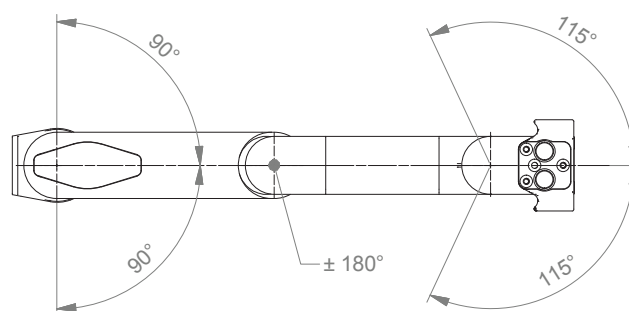
## Technical data

---

### SIDE VIEW



### TOP VIEW



# Height adjustable arm



<b>Monitor adaption</b>	prepared to accept Philips table top mount
<b>Height adjustment</b>	slow-flowing spring, parallel linkage for a constant viewing angle
<b>Colours to choose</b>	decorative parts RAL 5013 blue / RAL 7024 dark grey aluminum parts RAL 9016 pure white / RAL 9002 grey white
<b>Max. load capacity support arm</b>	22 kg / 48.5 lbs
<b>Max. load monitor adaptation</b>	22 kg / 48.5 lbs
<b>Product weight</b>	3.5 kg / 7.7 lbs
<b>Balancing range</b>	600 N (2-5 kg / 5.5-11 lbs); 950 N (4-9 kg / 8.8-19.8 lbs); 1300 N (7.5-13 kg / 16.5-28.7 lbs); 1750 N (13-16 kg / 28.7-35.3 lbs); 2200 N (16-22 kg / 35.3-48.5 lbs)
<b>Part number</b>	A-431PH-Y.CD_X

## Fixings

Y | details page 35 and 36



4V

Adapter for vertical wall channel



2F

Fixed rail clamp



3

Vertical rail clamp



3DR  
3TX

Dual vertical rail clamp



1  
1F  
1C  
1V

Fixed / universal pole clamp



13

Adapter for Mindray medical supply units



17

Adapter for Amico pendants & headwalls



10

Adapter for Maquet anaesthesia machines



9

Adapter for Löwenstein Medical anaesthesia machines



4U

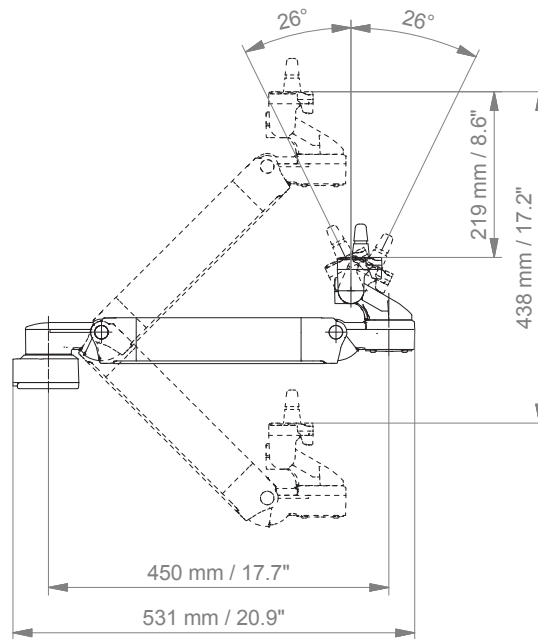
Adapter for anaesthesia machines with existing side channel

# Height adjustable arm

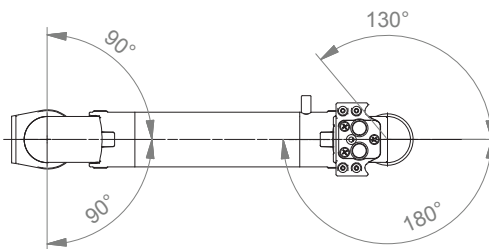
## Technical data

---

### SIDE VIEW



### TOP VIEW





# Extended height adjustable arm



<b>Monitor adaption</b>	prepared to accept Philips table top mount
<b>Height adjustment</b>	slow-flowing spring, parallel linkage for a constant viewing angle
<b>Colours to choose</b>	decorative parts RAL 5013 blue / RAL 7024 dark grey aluminum parts RAL 9016 pure white / RAL 9002 grey white
<b>Max. load capacity support arm</b>	22 kg / 48.5 lbs
<b>Max. load monitor adaptation</b>	22 kg / 48.5 lbs
<b>Product weight</b>	5.4 kg / 11.9 lbs
<b>Balancing range</b>	600 N (2-5 kg / 5.5-11 lbs); 950 N (4-9 kg / 8.8-19.8 lbs); 1300 N (7.5-13 kg / 16.5-28.7 lbs); 1750 N (13-16 kg / 28.7-35.3 lbs); 2200 N (16-22 kg / 35.3-48.5 lbs)
<b>Part number</b>	A-73130PH-Y.CD_X

## Fixings

Y | details page 35 and 36



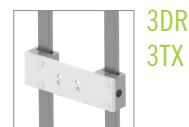
4V  
Adapter for vertical wall channel



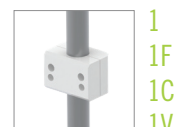
2F  
Fixed rail clamp



3  
Vertical rail clamp



3DR  
3TX  
Dual vertical rail clamp



1  
1F  
1C  
1V  
Fixed / universal pole clamp



13  
Adapter for Mindray medical supply units



17  
Adapter for Amico pendants & headwalls



10  
Adapter for Maquet anaesthesia machines



9  
Adapter for Löwenstein Medical anaesthesia machines



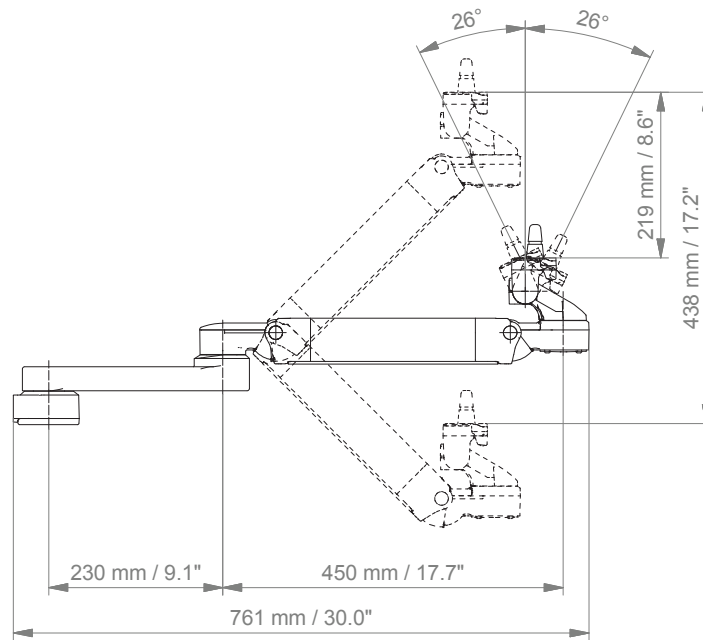
4U  
Adapter for anaesthesia machines with existing side channel

# Extended height adjustable arm

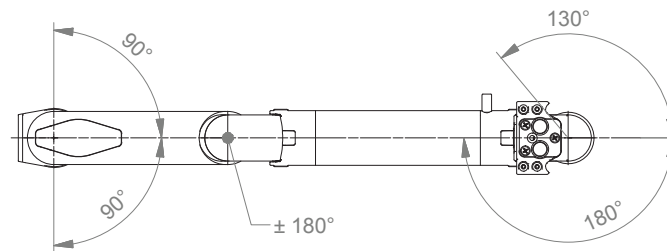
## Technical data

---

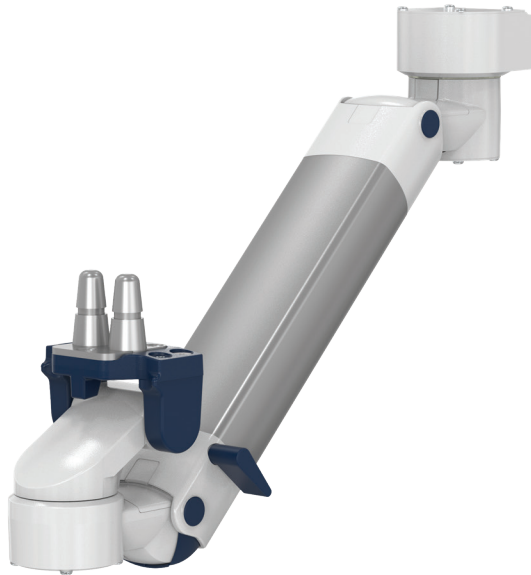
### SIDE VIEW



### TOP VIEW



# High position height adjustable arm



**Monitor adaption**

prepared to accept Philips table top mount

**Height adjustment**

slow-flowing spring, parallel linkage for a constant viewing angle

**Colours to choose**

decorative parts RAL 5013 blue / RAL 7024 dark grey  
 aluminum parts RAL 9016 pure white / RAL 9002 grey white

**Max. load capacity support arm**

22 kg / 48.5 lbs

**Max. load monitor adaptation**

22 kg / 48.5 lbs

**Product weight**

3.5 kg / 7.7 lbs

**Balancing range**

600 N (2-5 kg / 5.5-11 lbs ); 950 N (4-9 kg / 8.8-19.8 lbs); 1300 N (7,5-13 kg / 16.5-28.7 lbs); 1750 N (13-16 kg / 28.7-35.3 lbs); 2200 N (16-22 kg / 35.3-48.5 lbs)

**Part number**

A-531PH-Y.CD\_X

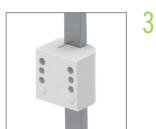
**Fixings**

Y | details page 29



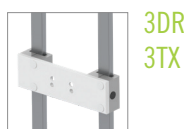
4U

Adapter for vertical wall channel



3

Vertical rail clamp



3DR  
3TX

Dual vertical rail clamp



1  
1F  
1C  
1V

Fixed / universal pole clamp



13

Adapter for Mindray medical supply units



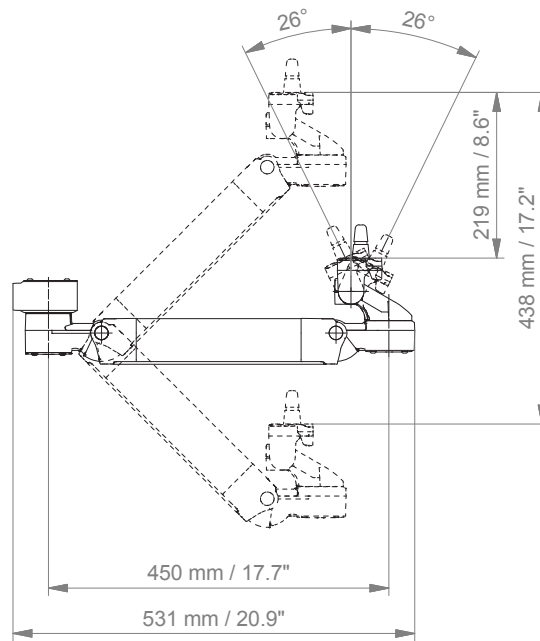
17

Adapter for Amico pendants & headwalls

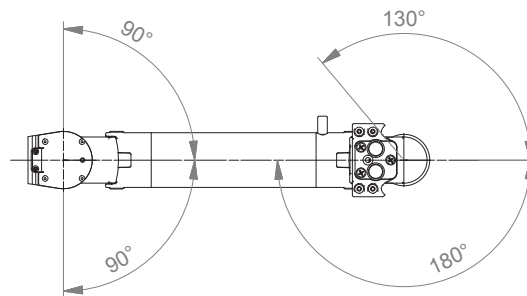
# High position height adjustable arm

## Technical data

### SIDE VIEW



### TOP VIEW



# Extended high position height adjustable arm



<b>Monitor adaption</b>	prepared to accept Philips table top mount
<b>Height adjustment</b>	slow-flowing spring, parallel linkage for a constant viewing angle
<b>Colours to choose</b>	decorative parts RAL 5013 blue / RAL 7024 dark grey aluminum parts RAL 9016 pure white / RAL 9002 grey white
<b>Max. load capacity support arm</b>	22 kg / 48.5 lbs
<b>Max. load monitor adaption</b>	22 kg / 48.5 lbs
<b>Product weight</b>	5.4 kg/ 11.9 lbs
<b>Balancing range</b>	600 N (2-5 kg / 5.5-11 lbs ); 950 N (4-9 kg / 8.8-19.8 lbs); 1300 N (7,5-13 kg / 16.5-28.7 lbs); 1750 N (13-16 kg / 28.7-35.3 lbs); 2200 N (16-22 kg / 35.3-48.5 lbs)
<b>Part number</b>	A-83130PH-Y.CD_X

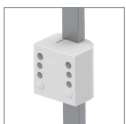
## Fixings

Y | details page 29



4U

Adapter for vertical wall channel



3

Vertical rail clamp



3DR  
3TX

Dual vertical rail clamp



1  
1F  
1C  
1V

Fixed / universal pole clamp



13

Adapter for Mindray medical supply units



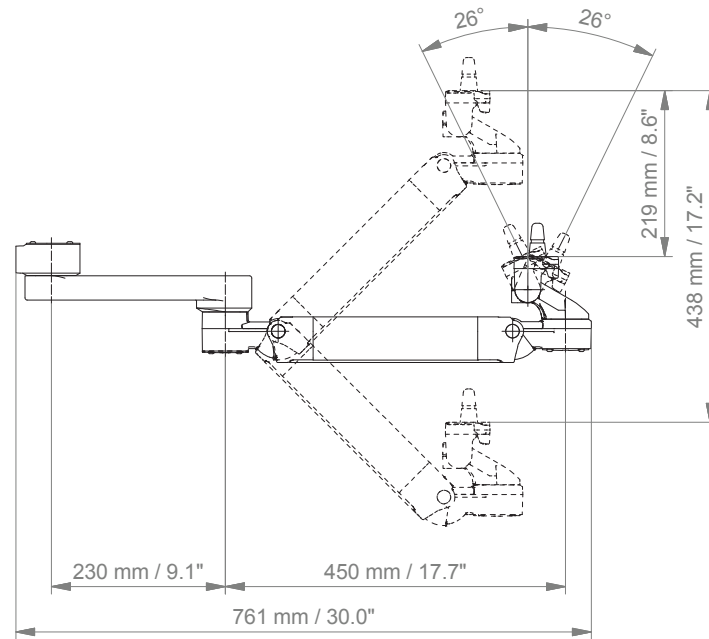
17

Adapter for Amico pendants & headwalls

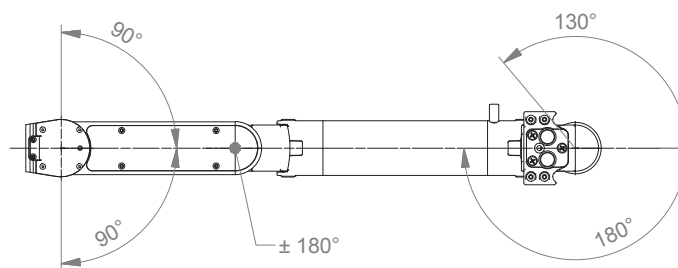
# Extended high position height adjustable arm

## Technical data

### SIDE VIEW



### TOP VIEW





## Counter top

---



**Monitor adaption**

prepared to accept Philips table top mount

**Colours to choose**

decorative parts RAL 5013 blue / RAL 7024 dark grey  
aluminum parts RAL 9016 pure white / RAL 9002 grey white

**Max. load monitor adaptation**

18 kg / 39.7 lbs

**Part number**

Counter top with base plate (see illustration)

T-HPH-60.CD\_50 height 50 mm / 2"

T-HPH-60.CD\_120 height 120 mm / 4.7"

Counter top without base plate

T-HPH-69.CD\_50 height 50 mm / 2"

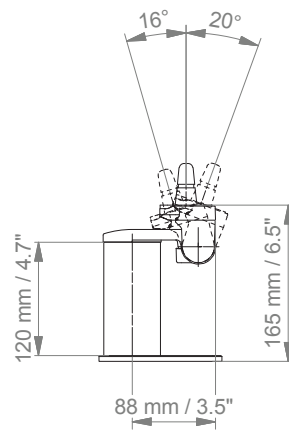
T-HPH-69.CD\_120 height 120 mm / 4.7"

# Counter top

## Technical data - with base plate

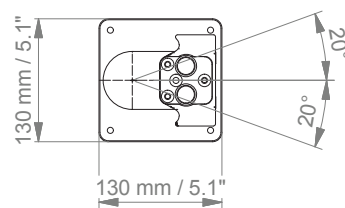
---

### SIDE VIEW

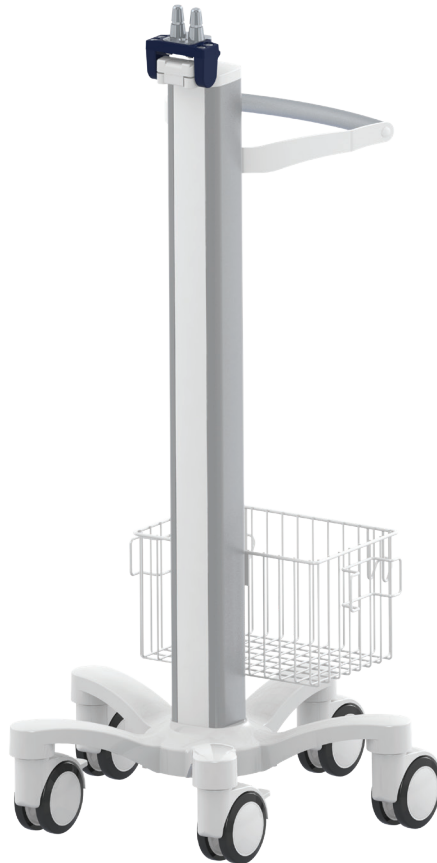


---

### TOP VIEW



# Cart light duty



**Monitor adaption**

prepared to accept Philips table top mount

**Accessories**

5-star base aluminum base with counter weight  
 double wheel castors, ø 100 mm/ 3.9", 2 lockable  
 column to accept components and accessories on opposite sides

**Colours to choose**

decorative parts RAL 5013 blue / RAL 7024 dark grey  
 base RAL 9016 pure white (part no. code 1) / RAL 5013 blue (part no. code 6)

**Max. load capacity**

14 kg / 30.9 lbs

**Optional accessories**

basket big 300 x 200 x 180 mm/ 11.8 x 7.9 x 7.1"  
 basket small 200 x 150 x 100 mm/ 7.9 x 5.9 x 3.9"  
 handle

**Part number**

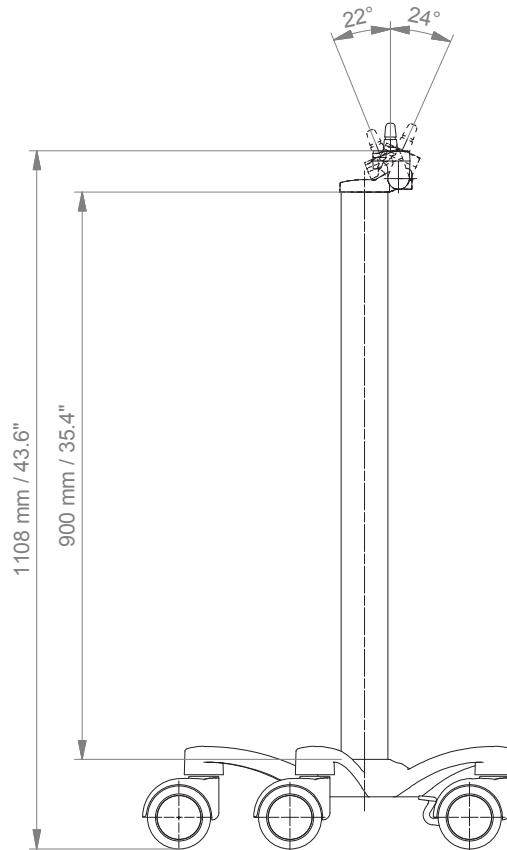
cart	R-002PH.CD
basket big	Z-51-4Z
basket small	Z-52-4Z
handle	Z-HD-4Z.e1

# Cart light duty

## Technical data

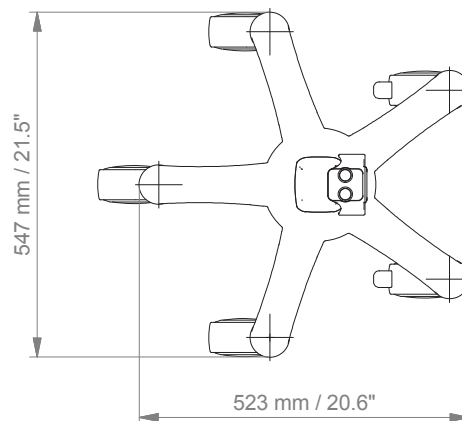
---

### SIDE VIEW

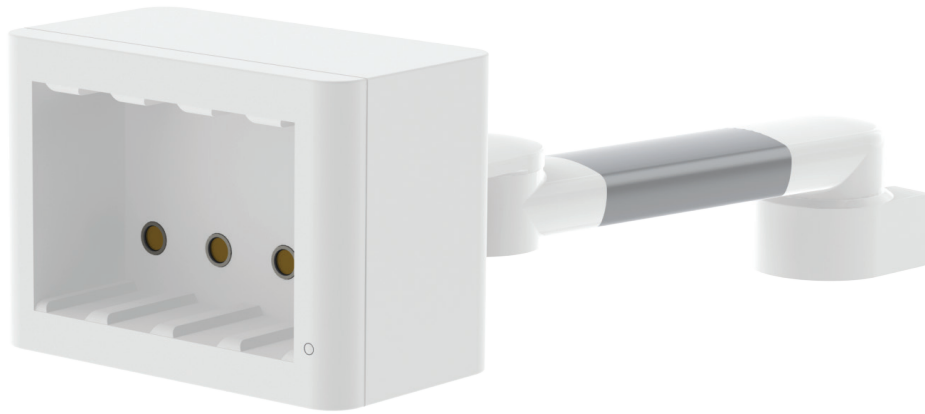


---

### TOP VIEW



# Support arm pivot for FMS



**Monitor adaption**

adapter for FMS

**Colours to choose**

decorative parts RAL 5013 blue / RAL 7024 dark grey  
aluminum parts RAL 9016 pure white / RAL 9002 grey white

**Max. load capacity support arm**

18 kg / 39.7 lbs

**Max. load monitor adaptation**

18 kg / 39.7 lbs

**Product weight**

240 mm / 9.5": 1.9 kg / 4.2 lbs    300 mm / 11.8": 2 kg / 4.4 lbs

**Part number**

arm length 240 mm / 9.5"  
A-224FMS-Y.CD

arm length 300 mm / 11.8"  
A-230FMS-Y.CD

## Fixings

Y | details page 35 and 36



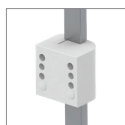
4V

Adapter for vertical wall channel



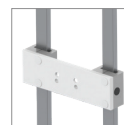
2F

Fixed rail clamp



3

Vertical rail clamp



3DR  
3TX

Dual vertical rail clamp



1  
1F  
1C  
1V

Fixed / universal pole clamp



13

Adapter for Mindray medical supply units



17

Adapter for Amico pendants & headwalls



10

Adapter for Maquet anaesthesia machines



9

Adapter for Löwenstein Medical anaesthesia machines



4U

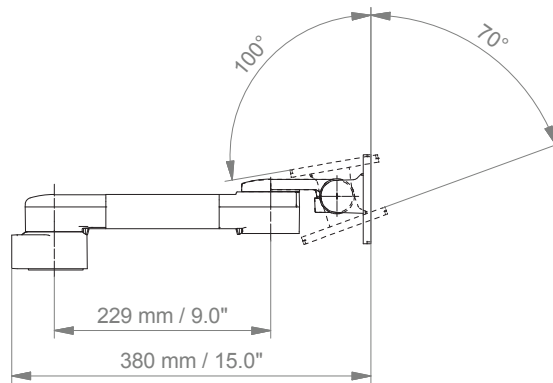
Adapter for anaesthesia machines with existing side channel

# Support arm pivot for FMS

Technical data - arm length 300 mm / 11.8"

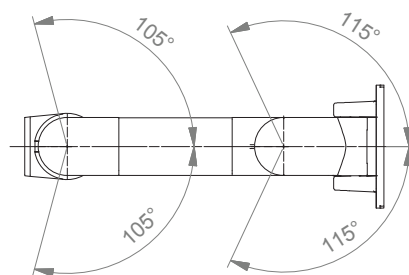
---

## SIDE VIEW



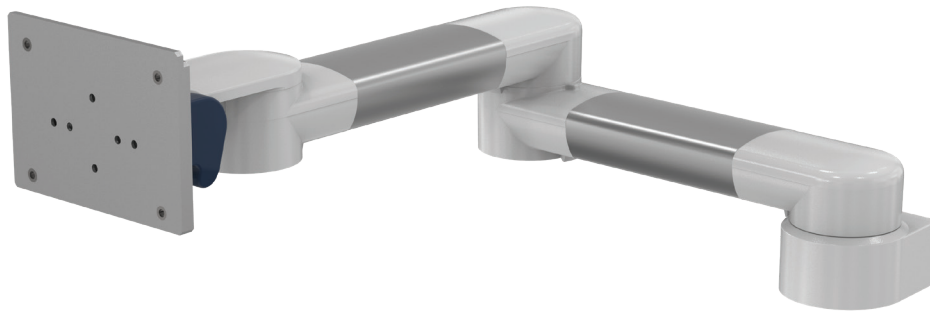
---

## TOP VIEW





# Extended pivot arm light for FMS



**Monitor adaption**

adapter for FMS

**Colours to choose**

decorative parts RAL 5013 blue / RAL 7024 dark grey  
 aluminum parts RAL 9016 pure white / RAL 9002 grey white

**Max. load capacity support arm**

12 kg / 26.5 lbs

**Max. load monitor adaptation**

12 kg / 26.5 lbs

**Product weight**

240 mm / 9.5": 2.6 kg / 5.7 lbs    300 mm / 11.8": 2.8 kg / 6.2 lbs

**Part number**

arm length 240 mm / 9.5"  
 A-32424FMS-Y.CD

arm length 300 mm / 11.8"  
 A-33030FMS-Y.CD

## Fixings

Y | details page 35 and 36



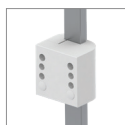
4V

Adapter for vertical wall channel



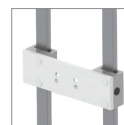
2F

Fixed rail clamp



3

Vertical rail clamp



3DR  
3TX

Dual vertical rail clamp



1  
1F  
1C  
1V

Fixed / universal pole clamp



13

Adapter for Mindray medical supply units



17

Adapter for Amico pendants & headwalls



10

Adapter for Maquet anaesthesia machines



9

Adapter for Löwenstein Medical anaesthesia machines



4U

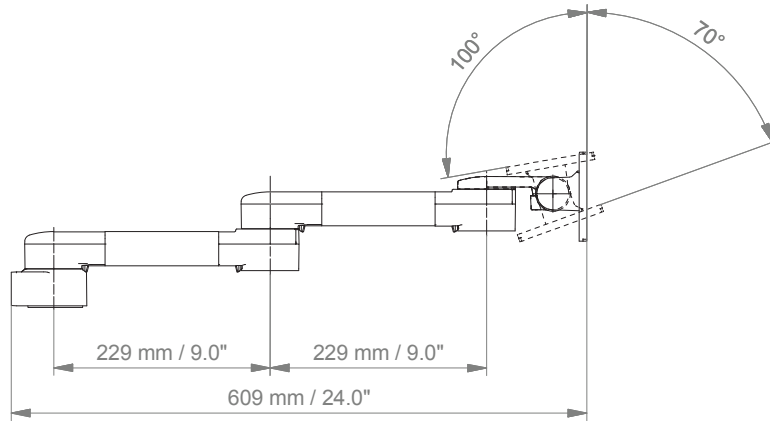
Adapter for anaesthesia machines with existing side channel

# Extended pivot arm light for FMS

Technical data - arm length 300 mm / 11.8"

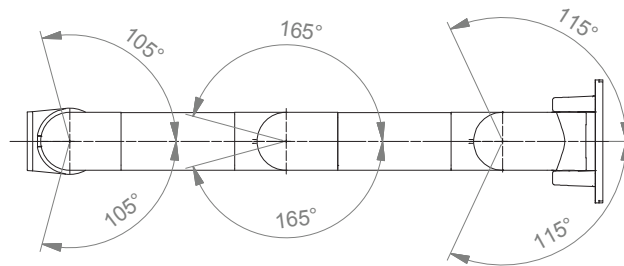
---

## SIDE VIEW



---

## TOP VIEW



## Down post for IntelliVue FMS

---



### Part number

To attach to non-height adjustable arms

Z-DPR-70.1\_150 rotatable, length 150 mm / 5.9"

Z-DPR-70.1\_300 rotatable, length 300 mm / 11.8"

To attach to height adjustable arms

Z-DPR-71.1\_150 rotatable, length 150 mm / 5.9"

Z-DPR-71.1\_300 rotatable, length 300 mm / 11.8"

## Mount for MP2 / X2 / X3

---

### MP2/ X2/ X3 mount with power supply

- Part no. Z-MP2PS-6      univeral horizontal rail clamp
- Part no. Z-MP2PS-3      vertical rail clamp
- Part no. Z-MP2PS-4Z    adapter for vertical wall channel (illustration)
- Part no. Z-MP2PS-1V    universal pole clamp

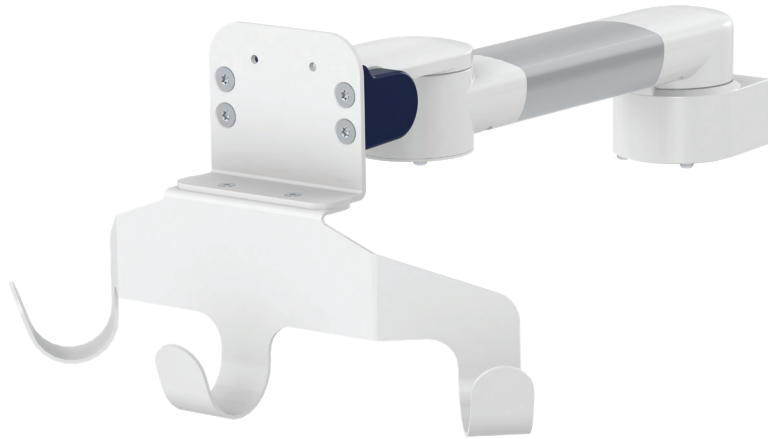


### MP2/ X2/ X3 mount without power supply

- Part no. Z-MP2-6          univeral horizontal rail clamp
- Part no. Z-MP2-3          vertical rail clamp
- Part no. Z-MP2-4Z        adapter for vertical wall channel (illustration)
- Part no. Z-MP2-1V        universal pole clamp



# Support arm pivot for MP2 / X2 / X3



**Monitor adaption**

adapter for MP2 / X2 / X3

**Colours to choose**

decorative parts RAL 5013 blue / RAL 7024 dark grey  
 aluminum parts RAL 9016 pure white / RAL 9002 grey white

**Max. load capacity support arm**

18 kg / 39.7 lbs

**Max. load monitor adaptation**

18 kg / 39.7 lbs

**Product weight**

240 mm / 9.5": 2.4 kg / 5.3 lbs    300 mm / 11.8": 2.5 kg / 5.5 lbs

**Part number**

arm length 240 mm / 9.5"

arm length 300 mm / 11.8"

A-224MP2-Y.CD

A-230MP2-Y.CD

without power supply

A-224MP2PS-Y.CD

A-230MP2PS-Y.CD

with power supply (illustration)

**Fixings**

Y | details page 35 and 36



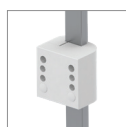
4V

Adapter for vertical wall channel



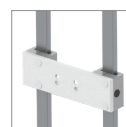
2F

Fixed rail clamp



3

Vertical rail clamp



3DR  
3TX

Dual vertical rail clamp



1  
1F  
1C  
1V

Fixed / universal pole clamp



13

Adapter for Mindray medical supply units



17

Adapter for Amico pendants & headwalls



10

Adapter for Maquet anaesthesia machines



9

Adapter for Löwenstein Medical anaesthesia machines



4U

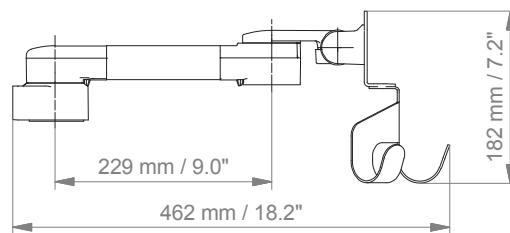
Adapter for anaesthesia machines with existing side channel

# Support arm pivot for MP2 / X2 / X3

Technical data - arm length 300 mm / 11.8"

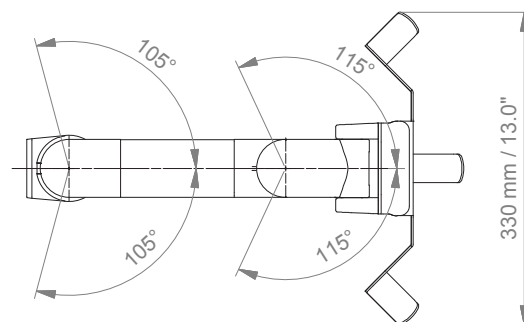
---

## SIDE VIEW



---

## TOP VIEW





# Extended pivot arm light for MP2 / X2 / X3



**Monitor adaption**

adapter for MP2 / X2 / X3

**Colours to choose**

decorative parts RAL 5013 blue / RAL 7024 dark grey  
 aluminum parts RAL 9016 pure white / RAL 9002 grey white

**Max. load capacity support arm**

12 kg / 26.5 lbs

**Max. load monitor adaption**

12 kg / 26.5 lbs

**Product weight**

3.3 kg / 7.3 lbs

**Part number**

A-33030MP2-Y.CD without power supply  
 A-33030MP2PS-Y.CD with power supply (illustration)

**Fixings**

Y | details page 35 and 36



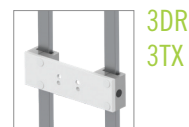
Adapter for vertical wall channel



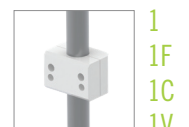
Fixed rail clamp



Vertical rail clamp



Dual vertical rail clamp



Fixed / universal pole clamp



Adapter for Mindray medical supply units



Adapter for Amico pendants & headwalls



Adapter for Maquet anaesthesia machines



Adapter for Löwenstein Medical anaesthesia machines



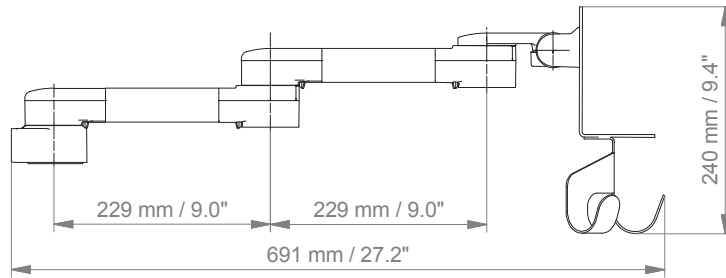
Adapter for anaesthesia machines with existing side channel

# Extended pivot arm light for MP2 / X2 / X3

## Technical data

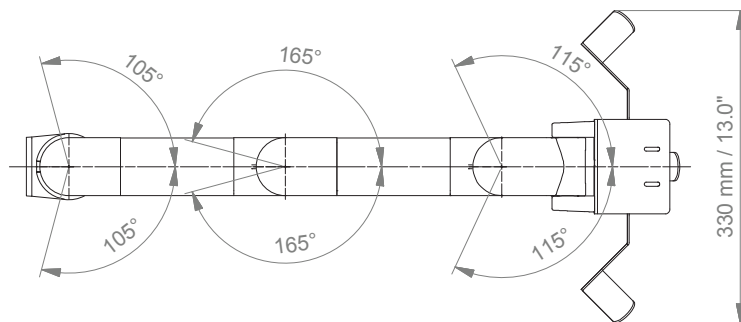
---

### SIDE VIEW



---

### TOP VIEW



## Fixings

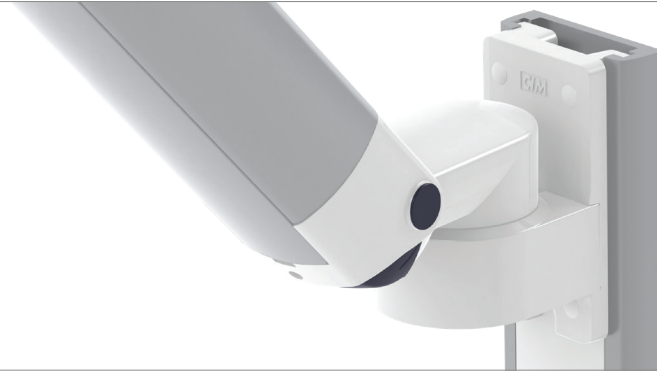










Illustration	Description	Notes	Part. no.
	Adapter for vertical wall channel	To mount to CIM wall channel (compatible with GCX channel) For arms with high mounting positions Please order separately: CIM wall channel, see catalogue accessoires	4V 4U
	Fixed rail clamp	To mount to horizontal European rails 10 x 25, 8 x 35, 10 x 30, 10 x 50 mm	2F
	Vertical rail clamp	To mount to vertical European rail 10 x 25 mm	3
	Dual vertical rail clamp	To mount to two parallel vertical European rails 10 x 25, 8 x 35, 10 x 30, 10 x 50 mm Distance between rails 150 mm / 5.9", e.g. Dräger pendant Distance between rails 225 mm / 8.9", e.g. Trilux pendant	3DR 3TX
	Fixed pole clamp	To mount to pole $\varnothing$ 25 mm / 1.0" To mount to pole $\varnothing$ 35 mm / 1.4" To mount to pole $\varnothing$ 38 mm / 1.5"	1 1F 1C
	Universal pole clamp	V-Flansch zur Aufnahme an Rundrohr $\varnothing$ 23 - 40 mm	1V
	Adapter medical supply units	For Mindray medical supply units	13
	Adapter pendants & headwalls	For Amico pendants & headwalls	17

# Fixings for anaesthesia machines

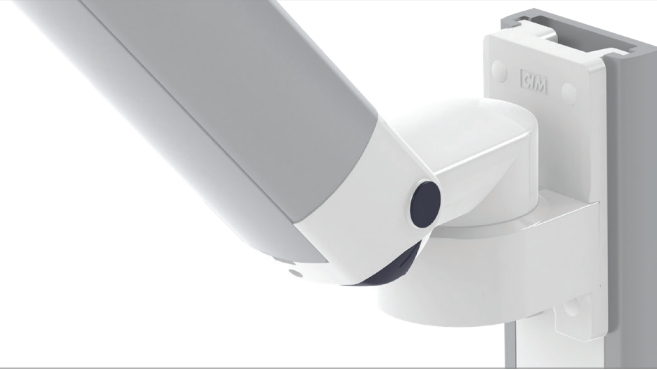


Illustration	Description	Notes	Part. no.
	Adapter for Maquet anaesthesia machines	Cone adapter for Maquet FLOW i	10
	Adapter for Löwenstein Medical anaesthesia machines	Adapter for Leon / Leon plus	9
	Adapter for anaesthesia machines (all suppliers)	H 80 mm / 3.1" With existing side channel	4U
<b>If your anaesthesia machine does not have a side channel already mounted to the machine, please order the following in addition to 4U:</b>			
	Adapter for Dräger	Dräger Primus / Julian / Cato / Fabius GS / Zeus side channel adapter L 127 mm / 5" side channel adapter L 320 mm / 12.6"	DR-J01 DR-J02
			
	Adapter for GE	GE Avance / Aespire / Aestiva side channel adapter L 200 mm / 7.9"	DX-AES-01
			



CIM med GmbH

Euro-Industriepark  
Margot-Kalinke-Str. 9  
80939 Munich / Germany

T +49 89. 978 94 08-0  
F +49 89. 978 94 08-29  
M [info@cim-med.com](mailto:info@cim-med.com)

[www.cim-med.com](http://www.cim-med.com)

Philips Monitoring IntelliVue Series\_2019.01\_EN

