



Practix – Mobile Radiography

*A workhorse that gives you
an easier ride*

Practix 33 plus

Practix 33 plus is impressively mobile, flexible and easy to handle. It demonstrates its pedigree with high quality images, whilst its economy is proven by an excellent price/performance ratio. The solid design of Practix 33 plus, combined with its technical refinement guarantees a high system availability for many years to come.



PHILIPS

Mobility from head to toe



All examinations as easy as child's play

Easy handling and positioning

Practix 33 plus offers easy maneuverability and a compact, lightweight design. It has been designed with the user in mind: easy to recognize symbols on the pushbuttons facilitate adjustment of exposure parameters, with values appearing on the display panel for immediate checking. The current system status is displayed at all times. The infinitely adjustable light beam diaphragm allows rapid, accurate collimation to the object field marked. Short exposure times prevent motion artifacts, as well as ensuring high-quality images.

Applications

Due to its ease of maneuverability and user-friendliness, the Practix 33 plus is particularly suited for plaster rooms and healthcare programs and offers an excellent price/performance ratio. Its microprocessor-controlled converter X-ray generator also allows for all other types of applications.

Options

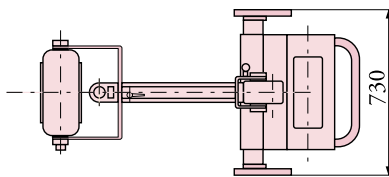
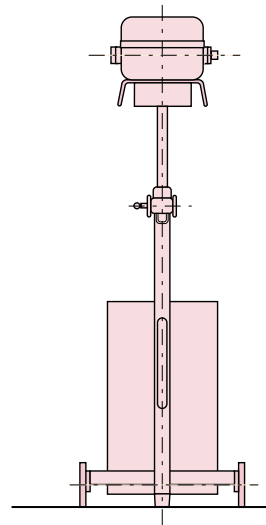
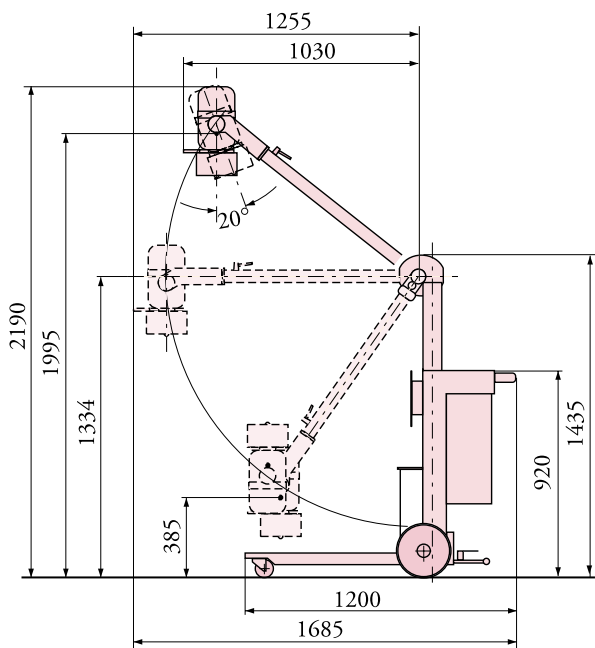
Small things, like the integrated measuring tape make life even easier when working with the Practix 33 plus. A dose area product measurement (Diamentor CX) is available as an optional extra.

Technology

you can rely on

Basic unit	
Type	Mobile X-ray unit with counterbalanced X-ray tube arm
Dimensions in mm (l x w x h)	1200 x 730 x 1435 (47.28" x 28.76" x 56.54") (at transport position)
Cassette storage	Radiation protected for up to 5 cassettes (43 cm x 43 cm) or 2 x 5 cassettes (optional)
Source-floor distance	70 cm to 200 cm
Weight	150 kg (330 lbs)
Generator	
Type	Microprocessor-controlled, single-tank converter X-ray generator
Peak power	3.3 kW (100 kV / 100 ms) at 230 V (mains voltage)
Nominal power	1.5 kW (100 kV / 100 ms) at 115 V (mains voltage)
Tube voltage	40 kV to 110 kV in 1 kV steps
Maximum current	75 mA at 230 V or 37 mA at 115 V
Tube current time product:	
– large focal spot	0.2 mAs to 250 mAs at 40 kV
– small focal spot	0.2 mAs to 80 mAs at 100 kV
Mains supply	115 V ±10%, 120 V ±10%, 230 V ±10%, single-phase, 50 Hz (60 Hz)
Mains fuse	16 A slow
Preparation time	≤1s
Exposure times	3 ms to 4 s
X-ray tube	
Type	Fixed anode X-ray tube
Anode material	Tungsten
Nominal focal spot	1,5
Anode angle	16°
Maximum radiation field	43 cm x 43 cm
Options	
	Dose area product measurement (Diamentor CX)

The dimensions of maneuverability



All dimensions in mm



Cassette drawer
for 4 to 5 cassettes



Easy to use interface

Minimal radiation exposure
for the radiographer thanks to
extra-long cord of the hand switch



Radiographer measures ideal SID



Simple adjustment for
perfect collimation



**Philips Medical Systems is part
of Royal Philips Electronics**

Interested?

Would you like to know more about our imaginative products? Please do not hesitate to contact us. We would be glad to hear from you.

On the web

www.medical.philips.com

Via e-mail

medical@philips.com

By fax

+31 40 27 64 887

By postal service

Philips Medical Systems

Global Information Center

I.B.R.S./C.C.R.I. Numéro 11088

5600 VC Eindhoven

Pays-Bas/The Netherlands

(no stamp required)

Asia

Tel: +852 2821 5888

Europe, Middle East, Africa

Tel: +31 40 27 63005

Latin America

Tel: +55 11 2125 0764

North America

Tel: +1 425 487 7000

© Koninklijke Philips Electronics N.V. 2004

All rights are reserved. Reproduction in whole or in part is prohibited without the prior written consent of the copyright holder.

Philips Medical Systems DMC GmbH reserves the right to make changes in specifications and/or to discontinue any product at any time without notice or obligation and will not be liable for any consequences resulting from the use of this publication.

Printed in The Netherlands.
4522 981 91301/704 * JUL 2004

