

CENTRA

CENTRALIZED WATER

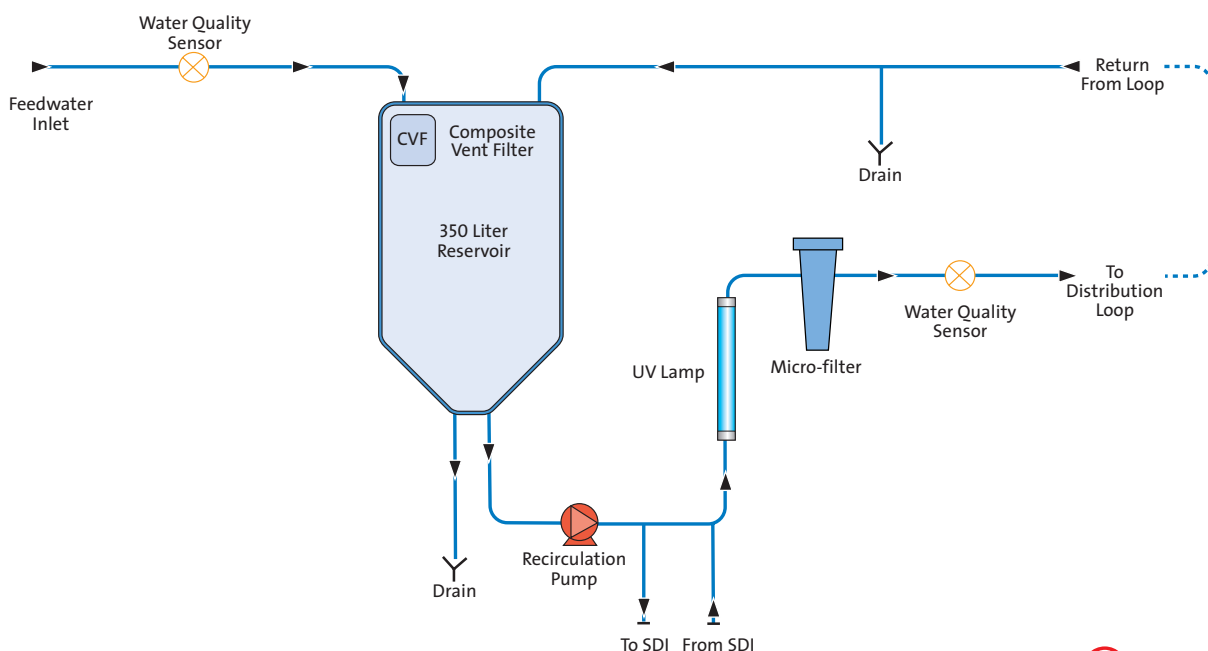


CENTRA-MDS/LDS/RDS

The CENTRA has revolutionised the way that large volumes of pure water are produced, stored and distributed. Instead of a central lab system, comprising of an untidy grouping of components and pipework, you can now have just one integrated system box. The CENTRA-MDS/LDS & RDS are storage and distribution systems designed to work with other CENTRA or PURELAB systems or existing purification installations. In addition to storing and distributing pure water, the CENTRA-RDS maintains and improves water purity.

- The compact design provides more flexible installation options for new buildings and refurbishments. The CENTRA's small footprint means that it can be placed closer to the laboratory, avoiding the negative cost and design implications of long pipe work loops
- Reliable, continual supply of pure water using unique access controls, leak detection systems and full AV alarms with optional building management system (BMS) connectivity
- Optimized inorganic water quality (RDS) through use of in-line purification technologies. Recirculated water is UV treated, filtered and (if fitted) can be improved through deionization
- 350 l reservoir of purified water available at up to 30 l/min from a distribution loop. A wide range of water purities are possible from RO permeate up to 18.2 MΩ-cm Type I purity
- Low microbial counts achieved through vent filtration, spray-ball water distribution and smooth internal surface in the reservoir combined with UV oxidation and 0.2 µm filtration in the loop

Process Flow CENTRA-RDS



CENTRA

CENTRALIZED WATER

Treated Water Specifications

Model	Voltage/ Freq	MDS	MDS(HF)	LDS	LDS HFV/ HFR	RDS	RDS HFV/ HFR	
Flowrate (exit from unit) - l/min (USG/min)	230/50	16 (4.2)	28 (7.4)	16 (4.2)	16 (4.2)	16 (4.2)	30 (8)	
	230/50/60	50	n/a	n/a	n/a	30 (8)	n/a	30 (8)
		60	n/a	n/a	n/a	38 (10)	n/a	38 (10)
	115/60	18 (4.8)	n/a	18 (4.8)	18 (4.8)	18 (4.8)	38 (10)	
Outlet pressure (exit from unit) - bar (psi)		3 (45)	2 (30)	3 (45)	3 (45)	3 (45)	3 (45)	
Inorganics (resistivity @ 25°C)		Dependent on feedwater	Dependent on feedwater	Dependent on feedwater	Dependent on feedwater	Up to 18.2MΩ-cm ¹	Up to 18.2MΩ-cm ¹	
Bacteria - typical		Dependent on feedwater	Dependent on feedwater	Dependent on feedwater	Dependent on feedwater	<5 CFU/ml ²	<5 CFU/ml ²	
Particles		n/a	n/a	n/a	n/a	0.2 µm filtration	0.2 µm filtration	

¹ Ion-exchange cylinder (SDI) installed

² Dependent on feedwater quality and system being correctly installed and regularly sanitized.

Dimensions and weights

Dimensions	Height 1195mm (47in), Width 730mm (28.75in), Depth 890mm (35in)	Height 1820mm (71.7in), Width 730mm (28.75in), Depth 890mm (35in),	
Shipping weight	120kg (264lb)	160kg (352lb)	180kg (396lb)
Operational weight	320kg (704lb)	510kg (1,124lb)	530kg (1,168lb)

Feedwater Requirements

Source	Potable tap water, preferably reverse osmosis or de-ionized					
Fouling Index (maximum)	5	5	5	5	5	5
Feedwater flow – l/min (maximum)	20	40	20	20	20	40
Feedwater pressure	10 bar (150 psi) maximum, 0.1 bar (1.5 psi) minimum					
Drain requirements l/min (gravity fall with air gap)	20	50	20	20	20	70

Electrical Requirements

Mains input	230V ac, 50Hz, 115V ac, 60Hz
System control voltage	24V dc
Power consumption during recirculation	1200VA
Electrical protection rating	20 amps
Reservoir level connection for control of additional ELGA products	Jack Plug 3.5mm DIN plug 6 way
Noise level during recirculation	<65dBA

ELGA LabWater

Tel: +44 (0) 1494 887500 Fax: +44 (0) 1494 887505

Email: info@elgalabwater.com Website: www.elgalabwater.com

ELGA® is the global laboratory water brand name of Veolia Water. VWS (UK) Ltd. Registered in England & Wales No. 327847 ©Copyright 2008 ELGA LabWater/VWS (UK) Ltd. All rights reserved. As part of our policy of continual improvement we reserve the right to alter the specifications given in this datasheet.

LITR 38762-01