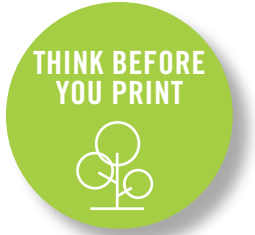




MOUNTING REFERENCE GUIDE

# VESA 75/100 Adaptation

CIM Cable Integrated Mounting System



# Content

---

<b>General notes</b>	<b>3</b>
<b>How to create part numbers</b>	<b>4</b>
<b>Product highlights</b>	<b>6</b>
<b>Flush mount</b>	<b>7</b>
<b>Support arm pivot</b>	<b>9</b>
<b>Extended pivot arm light duty</b>	<b>11</b>
<b>Extended pivot arm heavy duty</b>	<b>13</b>
<b>Height adjustable arm</b>	<b>15</b>
<b>Extended height adjustable arm</b>	<b>17</b>
<b>High position height adjustable arm</b>	<b>19</b>
<b>Extended high position height adjustable arm</b>	<b>21</b>
<b>Counter top</b>	<b>23</b>
<b>Counter top for deep monitors</b>	<b>25</b>
<b>Cart light duty</b>	<b>27</b>
<b>Cart light duty kit</b>	<b>29</b>
<b>Fixings</b>	<b>31</b>

## General notes

---

### Monitor adaptations

The monitor adaptation VESA 75/100 is provided with a spring for counter-balance.

### Components' grounding

All arms with integrated cable management are equipped with **component grounding**. No grounding is required for arms with external or semi-integrated cable management with cables not being led through joints.

### Load capacity

All **height adjustable arms** have a load capacity of 22 kg / 48.5 lbs. Rear mounted monitor adaptations and horizontally mounted 5" plunge plates accept a maximum monitor weight of 18 kg / 39.7 lbs. An additional 4 kg / 8.8 lbs may be mounted on a down post underneath the front swivel part. Depending on material and tensile factor all weight indications have a 4-fold and/ or 6-fold safety factor according to IEC 60601-1 standards.

### Custom-designed solutions and MRI applications

Please contact us for **custom-designed** solutions.

### Product marking

All products which are classified as medical product risk class 1 are CE marked. As **medical product risk class 1** they are conform with the regulations (EU) 2017/745 (MDR) and IEC 60601-1. Other standards of the IEC 60601 series are not applicable to our products, regardless of their version.

**MD** A stand-alone product that is already classified as a medical product class 1 before being integrated into an overall medical device. The product is CE-marked. A declaration of conformity is available.

~~MD~~ Accessories or spare parts that have no independent function and are therefore not subject to the MDR. These products are not CE-marked. A declaration of conformity is not required.

### Warranty

All CIM products have a 5-year warranty to be free of defects in material and functionality from the date of delivery.

---

## How to find the right product for your needs?

No problem with our configurator

<https://cim-configurator.com>



# How to create part numbers

Part numbers can be easily created by following the steps below:

Please replace the letters in **green** with the part no. code as per your requirements.

## 1. Components' grounding:

S	=	not grounded
A	=	grounded

## 2. Choose the arm version required:

910G / 910GS	=	flush mount
224G / 230G / 224GS / 230GS	=	support arm pivot
33030G / 33030GS	=	extended pivot arm light duty
H33030G / H33030GS	=	extended pivot arm heavy duty
431G / 431GS	=	height adjustable arm
73130G / 73130GS	=	extended height adjustable arm
531G / 531GS	=	high position height adjustable arm
83130G / 83130GS	=	extended high position height adjustable arm

## 3. Specify where you want to mount the arm and select the fixing (Y):

1V	=	pole ø 23 - 40 mm / 0.9 - 1.6"
1	=	pole ø 25 mm / 1.0"
1B	=	pole ø 30 mm / 1.2"
1F	=	pole ø 35 mm / 1.4"
1C	=	pole ø 38 mm / 1.5"
2F	=	horizontal rails 10 x 25, 8 x 35, 10 x 30, 10 x 50 mm
3	=	vertical rail 10 x 25 mm
4S	=	vertical wall channel
9	=	Löwenstein Medical / ITD / mounting channel
13	=	Mindray medical supply units
17	=	Amico pendants & headwalls
19	=	Dräger Ambia pendants & headwalls

# How to create part numbers

**4. Choose the colour requested for decorative parts (C):**

- gr = RAL 7024 (graphite grey)
- bl = RAL 5013 (cobalt blue)

**5. Choose the colour requested for the aluminium die-cast parts (D):**

- 1 = RAL 9016 (traffic white)
- 2 = RAL 9002 (grey white)

**6. Specify the spring depending on the weight of your monitor/ device - only with height adjustable arms (X):**

- 60 = 2 - 5 kg / 4.4 - 11 lbs
- 95 = 4 - 9 kg / 8.8 - 19.8 lbs
- 110 = 4.5 - 12.5 kg / 9.9 - 27.6 lbs
- 130 = 7.5 - 13 kg / 16.5 - 28.7 lbs
- 160 = 12.5 - 19 kg / 27.6 - 41.9 lbs
- 175 = 13 - 16 kg / 28.7 - 35.3 lbs
- 220 = 16 - 22 kg / 35.3 - 48.5 lbs

## Example

01 Grounding	02 Arm version	03 Fixing	04 & 05 Colour	06 Spring tension
A	- 431G	- Y	. CD	- X
A	- 431G	- 4S	. gr1	- 95

## Product highlights

---

### Non-height adjustable arm

Pivot and extended pivot arms offer **full cable integration** and easy cleaning for **infection control** in all critical care areas in the clinical environment. Our **5-years warranty** guarantees reliable, trouble-free and maintenance-free operation. The swivel function at the fixing point as well as the **tilt/ swivel function** of the monitor adaptation offers optimum positioning of your device. The extended pivot arm is a two-part arm with central pivot point between the two arm sections. All bottom-mounted monitors have the safety feature of a **20° tilt stop**.

### Height adjustable arm

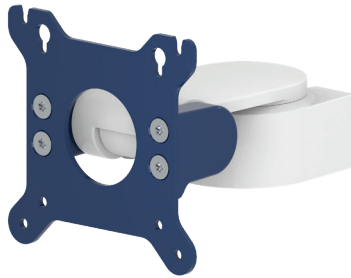
The height adjustable arm offers **full cable integration**, one-wipe clean surfaces and our **5-year warranty** on the entirety of the product. Vertically and horizontally adjustable, the arm offers optimal positioning of your device. A constant viewing angle when vertically adjusted is guaranteed by a parallel linkage. **Weight-optimized springs counter-balance** the monitor without making any adjustments. All bottom-mounted monitors have the safety feature of a **20° tilt stop**. Individual rotational stops may be integrated in any joint.

To provide the perfect combination of arm and monitor, the CIM articulated height adjustable arm has a simple quarter-turn lock to hold the arm safely in position when removing the monitor. Furthermore the arm is equipped with the unique safety feature of a slow-release gas spring. Should anybody try to remove the monitor before locking the arm in position, the arm will only rise at a slow and even tempo.

**SAFETY**

# Flush mount

**MD**



**Monitor adaption**

VESA 75/100

**Colours to choose** **CD**

decorative parts RAL 5013 cobalt blue / RAL 7024 graphite grey  
 aluminum parts RAL 9016 traffic white / RAL 9002 grey white

**Max. load capacity support arm**

18 kg / 39.7 lbs

**Max. load monitor adaptation**

18 kg / 39.7 lbs

**Product weight**

1 kg / 2.2 lbs VESA 75/100  
 1.1 kg / 2.4 lbs VESA 75/100 rotatable

**Part number**

S-910G-**Y.CD** VESA 75/100  
 S-910GS-**Y.CD** VESA 75/100 rotatable

**Fixings** **Y**

details page 31



4S

Adapter for vertical wall channel



2F

Horizontal rail clamp



3

Vertical rail clamp



1V

Universal pole clamp



1  
1B  
1F  
1C

Fixed pole clamp



13

Adapter for Mindray medical supply units



17

Adapter for Amico pendants & headwalls



19

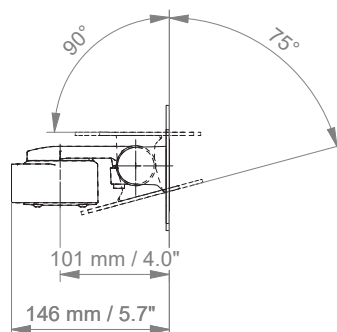
Adapter for Dräger Ambia pendants & headwalls

# Flush mount

## Technical data

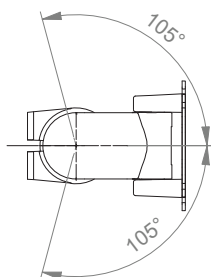
---

### SIDE VIEW

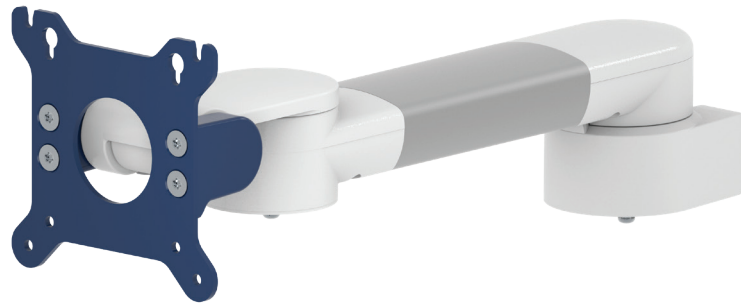


---

### TOP VIEW



# Support arm pivot



**Monitor adaption**

VESA 75/100

**Colours to choose** CD

decorative parts RAL 5013 cobalt blue / RAL 7024 graphite grey  
 aluminum parts RAL 9016 traffic white / RAL 9002 grey white

**Max. load capacity support arm**

18 kg / 39.7 lbs

**Max. load monitor adaptation**

18 kg / 39.7 lbs

**Product weight**

arm type 240	arm type 300	
1.8 kg / 4.0 lbs	1.9 kg / 4.2 lbs	VESA 75/100
1.9 kg / 4.2 lbs	2.1 kg / 4.6 lbs	VESA 75/100 rotatable

**Part number**

arm type 240	arm type 300	
A-224G- <span style="color: green;">Y.CD</span>	A-230G- <span style="color: green;">Y.CD</span>	VESA 75/100
A-224GS- <span style="color: green;">Y.CD</span>	A-230GS- <span style="color: green;">Y.CD</span>	VESA 75/100 rotatable

**Fixings** Y

details page 31



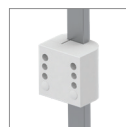
4S

Adapter for vertical wall channel



2F

Horizontal rail clamp



3

Vertical rail clamp



1V

Universal pole clamp



1  
1B  
1F  
1C

Fixed pole clamp



13

Adapter for Mindray medical supply units



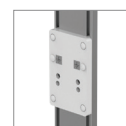
17

Adapter for Amico pendants & headwalls



19

Adapter for Dräger Ambia pendants & headwalls



9

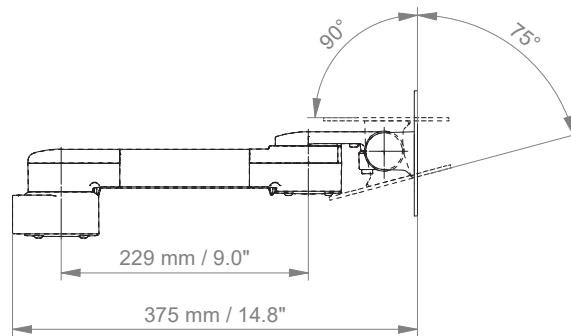
Adapter for Löwenstein Medical / ITD / mounting channel

# Support arm pivot

Technical data - arm type 300

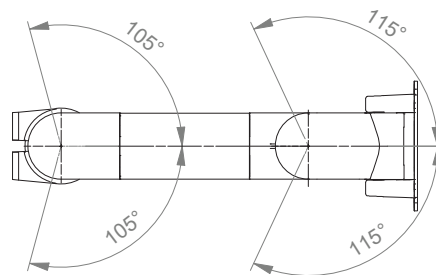
---

SIDE VIEW



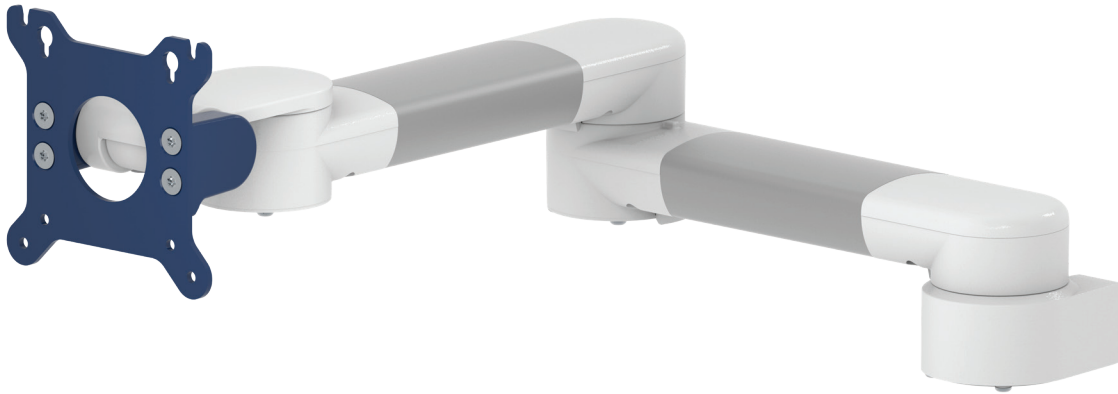
---

TOP VIEW



# Extended pivot arm light duty

MD



**Monitor adaption**

VESA 75/100

**Colours to choose** CD

decorative parts RAL 5013 cobalt blue / RAL 7024 graphite grey  
 aluminum parts RAL 9016 traffic white / RAL 9002 grey white

**Max. load capacity support arm**

8 kg / 17.6 lbs

**Max. load monitor adaptation**

8 kg / 17.6 lbs

**Product weight**

2.9 kg / 6.4 lbs VESA 75/100  
 3.0 kg / 6.6 lbs VESA 75/100 rotatable

**Part number**

A-33030G-Y.CD VESA 75/100  
 A-33030GS-Y.CD VESA 75/100 rotatable

## Fixings Y

details page 31



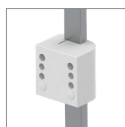
4S

Adapter for vertical wall channel



2F

Horizontal rail clamp



3

Vertical rail clamp



1V

Universal pole clamp



1  
1B  
1F  
1C

Fixed pole clamp



13

Adapter for Mindray medical supply units



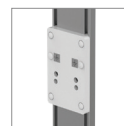
17

Adapter for Amico pendants & headwalls



19

Adapter for Dräger Ambia pendants & headwalls



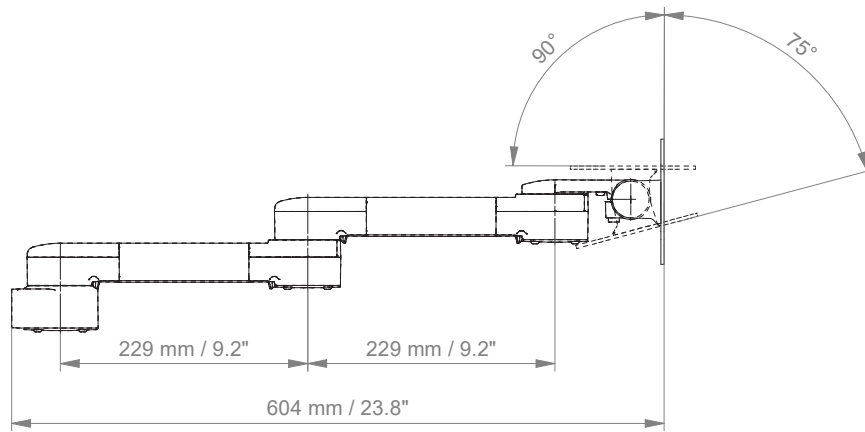
9

Adapter for Löwenstein Medical / ITD / mounting channel

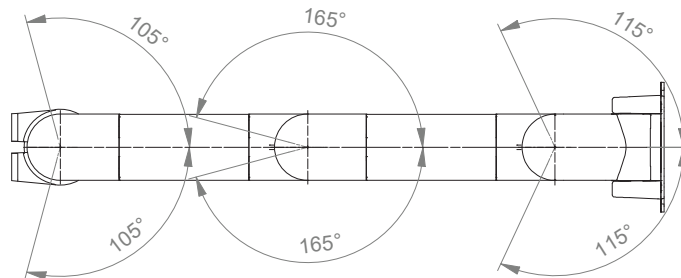
# Extended pivot arm light duty

## Technical data

### SIDE VIEW

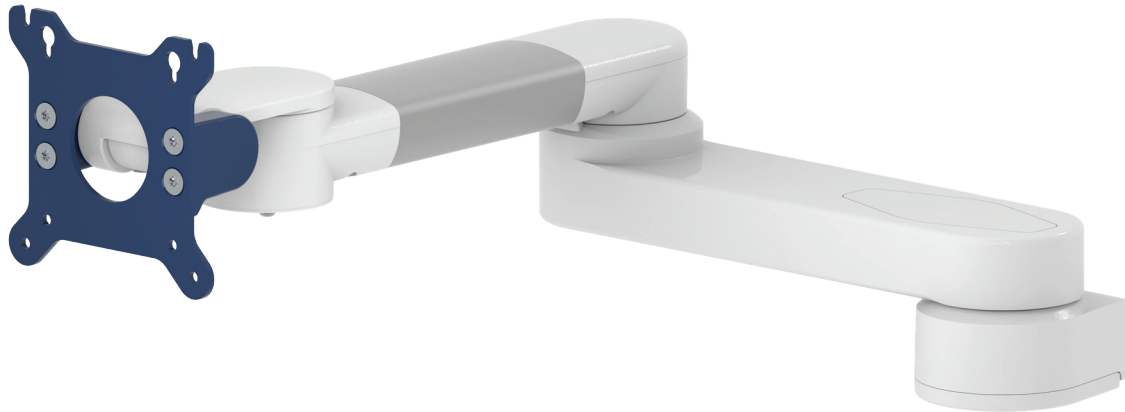


### TOP VIEW



# Extended pivot arm heavy duty

MD



**Monitor adaption**

VESA 75/100

**Colours to choose** CD

decorative parts RAL 5013 cobalt blue / RAL 7024 graphite grey  
 aluminum parts RAL 9016 traffic white / RAL 9002 grey white

**Max. load capacity support arm**

18 kg / 39.7 lbs

**Max. load monitor adaptation**

18 kg / 39.7 lbs

**Product weight**

3.1 kg / 6.8 lbs VESA 75/100  
 3.2 kg / 7.1 lbs VESA 75/100 rotatable

**Part number**

A-H33030G-Y.CD VESA 75/100  
 A-H33030GS-Y.CD VESA 75/100 rotatable

**Fixings Y**

details page 31



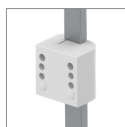
4S

Adapter for vertical wall channel



2F

Horizontal rail clamp



3

Vertical rail clamp



1V

Universal pole clamp



1  
1B  
1F  
1C

Fixed pole clamp



13

Adapter for Mindray medical supply units



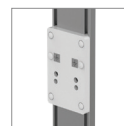
17

Adapter for Amico pendants & headwalls



19

Adapter for Dräger Ambia pendants & headwalls



9

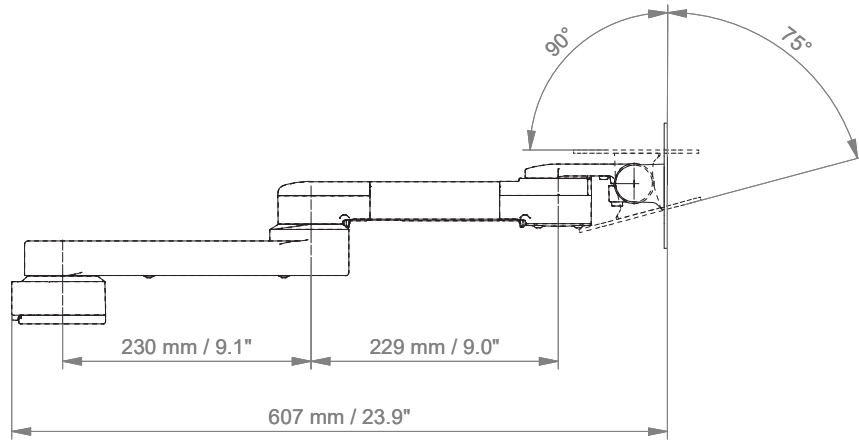
Adapter for Löwenstein Medical / ITD / mounting channel

# Extended pivot arm heavy duty

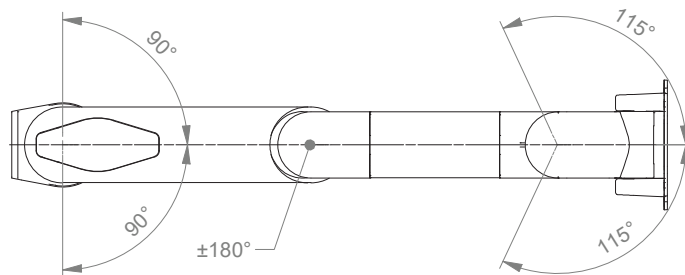
## Technical data

---

### SIDE VIEW

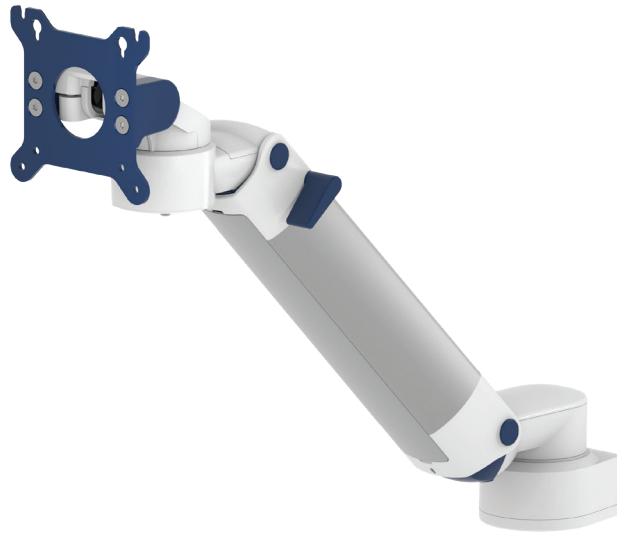


### TOP VIEW



# Height adjustable arm

MD



<b>Monitor adaption</b>	VESA 75/100
<b>Height adjustment</b>	slow-flowing spring, parallel linkage for a constant viewing angle
<b>Colours to choose</b> CD	decorative parts RAL 5013 cobalt blue / RAL 7024 graphite grey aluminum parts RAL 9016 traffic white / RAL 9002 grey white
<b>Max. load capacity support arm</b>	22 kg / 48.5 lbs
<b>Max. load monitor adaption</b>	18 kg / 39.7 lbs
<b>Product weight</b>	3.8 kg / 8.4 lbs VESA 75/100 3.9 kg / 8.6 lbs VESA 75/100 rotatable
<b>Balancing range</b> X	600 N (2-5 kg / 4.4-11 lbs); 950 N (4-9 kg / 8.8-19.8 lbs); 1100 N (4.5-12.5 kg / 9.9-27.6 lbs); 1300 N (7.5-13 kg / 16.5-28.7 lbs); 1600 N (12.5-19 kg / 27.6-41.9 lbs); 1750 N (13-16 kg / 28.7-35.3 lbs); 2200 N (16-22 kg / 35.3-48.5 lbs)
<b>Part number</b>	A-431G-Y.CD_X VESA 75/100 A-431GS-Y.CD_X VESA 75/100 rotatable

## Fixings Y

details page 31



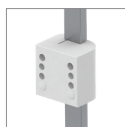
4S

Adapter for vertical wall channel



2F

Horizontal rail clamp



3

Vertical rail clamp



1V

Universal pole clamp



1  
1B  
1F  
1C

Fixed pole clamp



13

Adapter for Mindray medical supply units



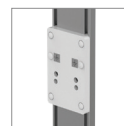
17

Adapter for Amico pendants & headwalls



19

Adapter for Dräger Ambia pendants & headwalls



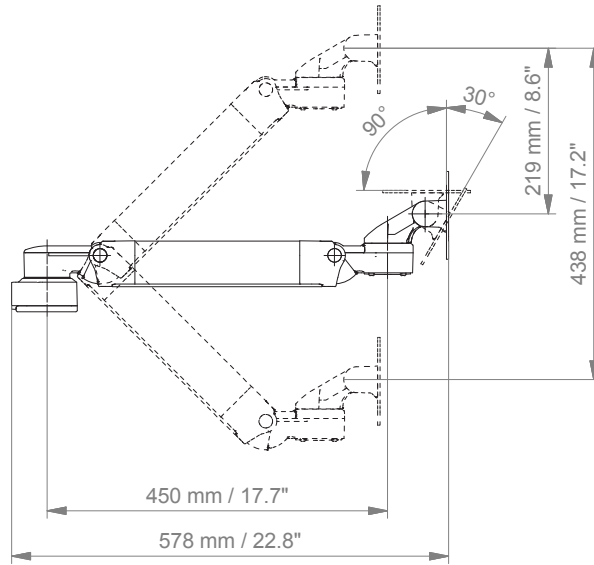
9

Adapter for Löwenstein Medical / ITD / mounting channel

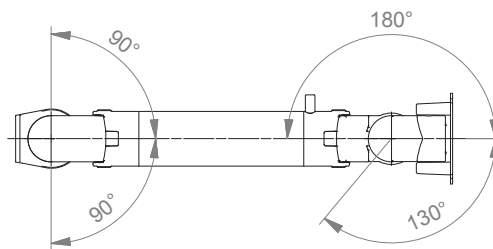
# Height adjustable arm

## Technical data

### SIDE VIEW



### TOP VIEW



# Extended height adjustable arm

**MD**



<b>Monitor adaption</b>	VESA 75/100	
<b>Height adjustment</b>	slow-flowing spring, parallel linkage for a constant viewing angle	
<b>Colours to choose</b> <b>CD</b>	decorative parts	RAL 5013 cobalt blue / RAL 7024 graphite grey
	aluminum parts	RAL 9016 traffic white / RAL 9002 grey white
<b>Max. load capacity support arm</b>	22 kg / 48.5 lbs	
<b>Max. load monitor adaption</b>	18 kg / 39.7 lbs	
<b>Product weight</b>	4.8 kg / 10.6 lbs	VESA 75/100
	4.9 kg / 10.8 lbs	VESA 75/100 rotatable
<b>Balancing range</b> <b>X</b>	600 N (2-5 kg / 4.4-11 lbs); 950 N (4-9 kg / 8.8-19.8 lbs); 1100 N (4.5-12.5 kg / 9.9-27.6 lbs); 1300 N (7.5-13 kg / 16.5-28.7 lbs); 1600 N (12.5-19 kg / 27.6-41.9 lbs); 1750 N (13-16 kg / 28.7-35.3 lbs); 2200 N (16-22 kg / 35.3-48.5 lbs)	
<b>Part number</b>	A-73130G-Y.CD_X	VESA 75/100
	A-73130GS-Y.CD_X	VESA 75/100 rotatable

## Fixings **Y**

details page 31



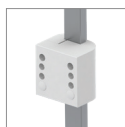
4S

Adapter for vertical wall channel



2F

Horizontal rail clamp



3

Vertical rail clamp



1V

Universal pole clamp



1  
1B  
1F  
1C

Fixed pole clamp



13

Adapter for Mindray medical supply units



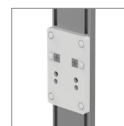
17

Adapter for Amico pendants & headwalls



19

Adapter for Dräger Ambia pendants & headwalls



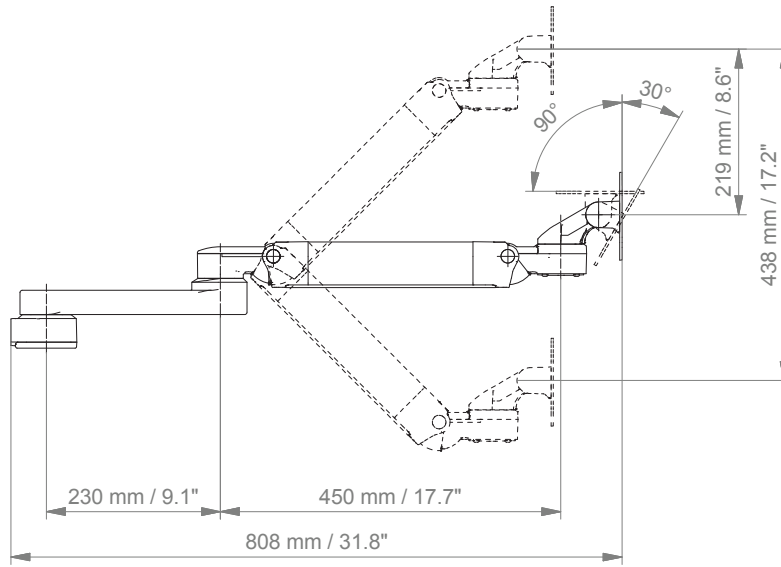
9

Adapter for Löwenstein Medical / ITD / mounting channel

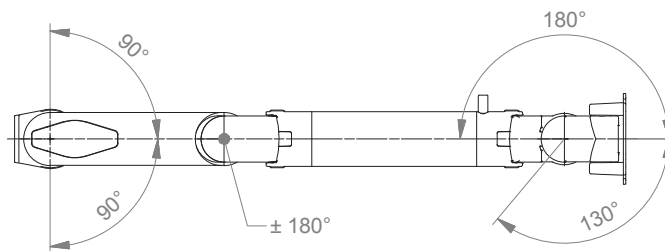
# Extended height adjustable arm

## Technical data

### SIDE VIEW

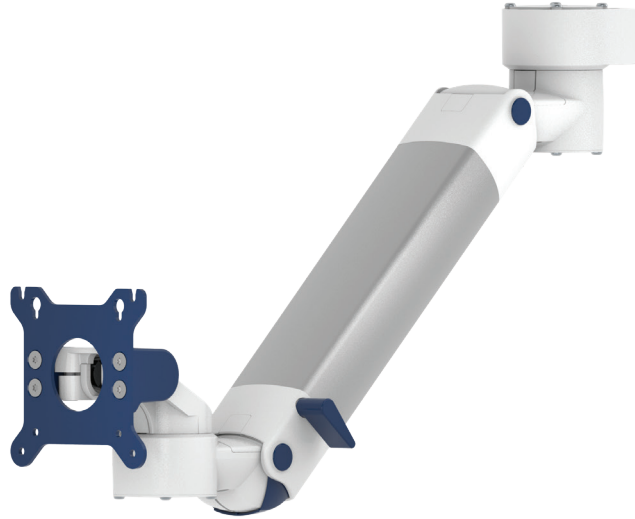


### TOP VIEW



# High position height adjustable arm

MD



<b>Monitor adaption</b>	VESA 75/100
<b>Height adjustment</b>	slow-flowing spring, parallel linkage for a constant viewing angle
<b>Colours to choose CD</b>	decorative parts RAL 5013 cobalt blue / RAL 7024 graphite grey aluminum parts RAL 9016 traffic white / RAL 9002 grey white
<b>Max. load capacity support arm</b>	22 kg / 48.5 lbs
<b>Max. load monitor adaption</b>	18 kg / 39.7 lbs
<b>Product weight</b>	4.1 kg / 9.0 lbs VESA 75/100 4.3 kg / 9.5 lbs VESA 75/100 rotatable
<b>Balancing range X</b>	600 N (2-5 kg / 4.4-11 lbs); 950 N (4-9 kg / 8.8-19.8 lbs); 1100 N (4.5-12.5 kg / 9.9-27.6 lbs); 1300 N (7.5-13 kg / 16.5-28.7 lbs); 1600 N (12.5-19 kg / 27.6-41.9 lbs); 1750 N (13-16 kg / 28.7-35.3 lbs); 2200 N (16-22 kg / 35.3-48.5 lbs)
<b>Part number</b>	A-531G-Y.CD_X VESA 75/100 A-531GS-Y.CD_X VESA 75/100 rotatable

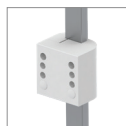
## Fixings Y

details page 31



4S

Adapter for vertical wall channel



3

Vertical rail clamp



1V

Universal pole clamp



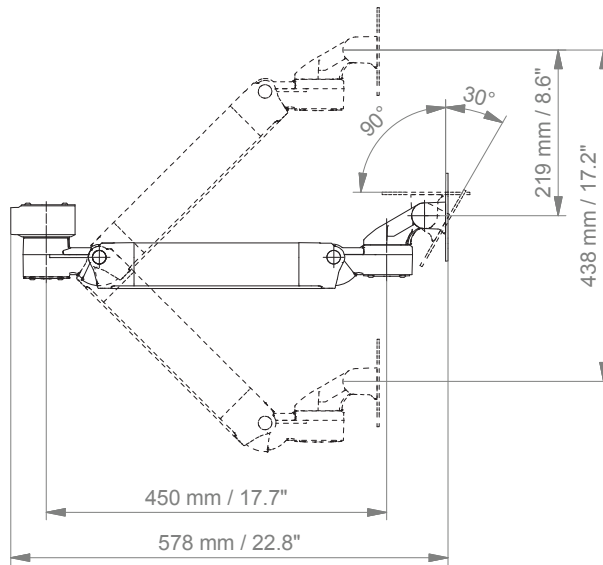
1  
1B  
1F  
1C

Fixed pole clamp

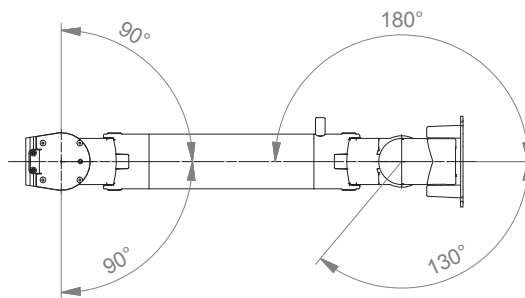
# High position height adjustable arm

## Technical data

### SIDE VIEW

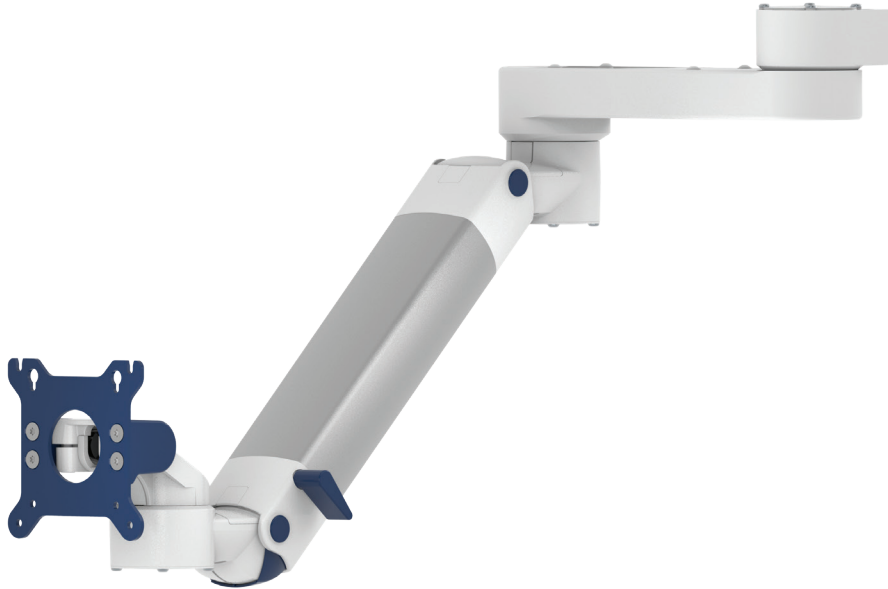


### TOP VIEW



# Extended high position height adjustable arm

MD



<b>Monitor adaption</b>	VESA 75/100	
<b>Height adjustment</b>	slow-flowing spring, parallel linkage for a constant viewing angle	
<b>Colours to choose</b> CD	decorative parts	RAL 5013 cobalt blue / RAL 7024 graphite grey
	aluminum parts	RAL 9016 traffic white / RAL 9002 grey white
<b>Max. load capacity support arm</b>	22 kg / 48.5 lbs	
<b>Max. load monitor adaption</b>	18 kg / 39.7 lbs	
<b>Product weight</b>	5.3 kg / 11.7 lbs	VESA 75/100
	5.4 kg / 11.9 lbs	VESA 75/100 rotatable
<b>Balancing range</b> X	600 N (2-5 kg / 4.4-11 lbs); 950 N (4-9 kg / 8.8-19.8 lbs); 1100 N (4.5-12.5 kg / 9.9-27.6 lbs); 1300 N (7.5-13 kg / 16.5-28.7 lbs); 1600 N (12.5-19 kg / 27.6-41.9 lbs); 1750 N (13-16 kg / 28.7-35.3 lbs); 2200 N (16-22 kg / 35.3-48.5 lbs)	
<b>Part number</b>	A-83130G-Y.CD_X	VESA 75/100
	A-83130GS-Y.CD_X	VESA 75/100 rotatable

## Fixings Y

details page 31



4S

Adapter for vertical wall channel



3

Vertical rail clamp



1V

Universal pole clamp



1

1B

1F

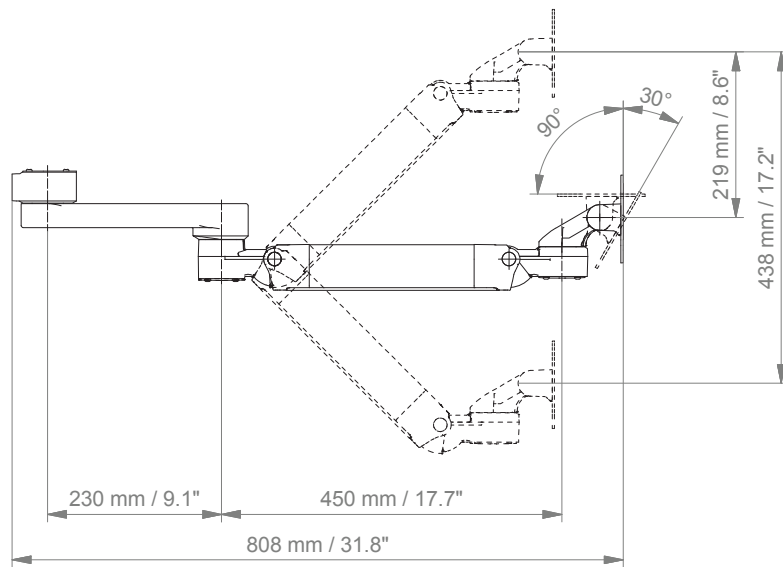
1C

Fixed pole clamp

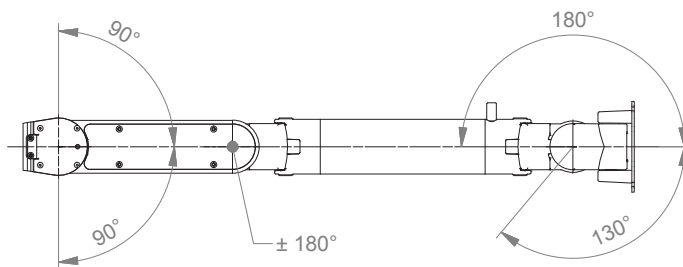
# Extended high position height adjustable arm

## Technical data

### SIDE VIEW



### TOP VIEW



# Counter top



**Monitor adaption**

VESA 75/100

**Colours to choose** CD

decorative parts RAL 5013 cobalt blue / RAL 7024 graphite grey  
 aluminum parts RAL 9016 traffic white / RAL 9002 grey white

**Max. load monitor adaptation**

18 kg / 39.7 lbs

**Part number**

Counter top with base plate to mount to desk or even surfaces

- T-HG-60.CD\_220 height 220 mm / 8.7"
- T-HG-60.CD\_280 height 280 mm / 11"
- T-HG-60.CD\_340 height 340 mm / 13.4"

Counter top free-standing (see illustration)

- T-HG-62.CD\_220 height 220 mm / 8.7"
- T-HG-62.CD\_280 height 280 mm / 11"
- T-HG-62.CD\_340 height 340 mm / 13.4"

Counter top without base plate

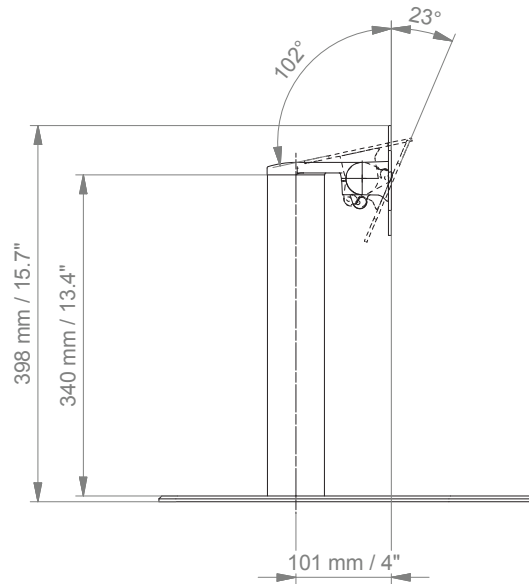
- T-HG-69.CD\_220 height 220 mm / 8.7"
- T-HG-69.CD\_280 height 280 mm / 11"
- T-HG-69.CD\_340 height 340 mm / 13.4"

**!** All free-standing counter tops have to be tip-tested for stability depending on the weight of the monitor!

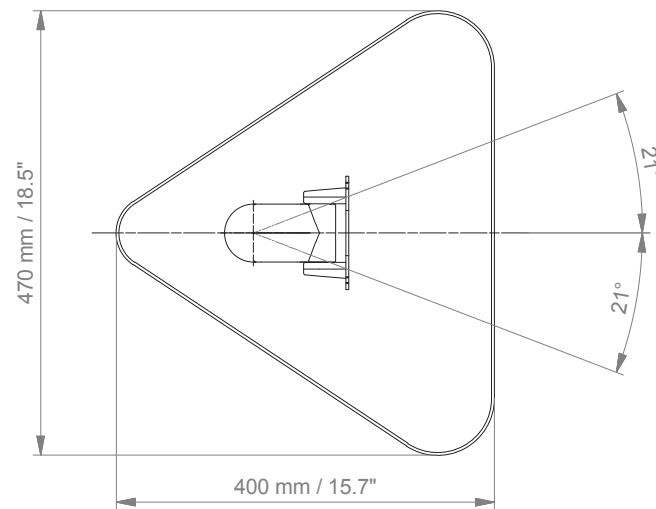
# Counter top

Technical data - free standing

SIDE VIEW



TOP VIEW



## Counter top for deep monitors

**MD**



**Monitor adaption**

CL-bracket, VESA 75/100

**Colours to choose** **CD**

decorative parts RAL 5013 cobalt blue / RAL 7024 graphite grey  
 aluminum parts RAL 9016 traffic white / RAL 9002 grey white

**Max. load monitor adaptation**

18 kg / 39.7 lbs

**Part number**

Counter top with base plate  
 to mount to desk or even surfaces (see illustration)  
 T-HK-60.**CD**\_50

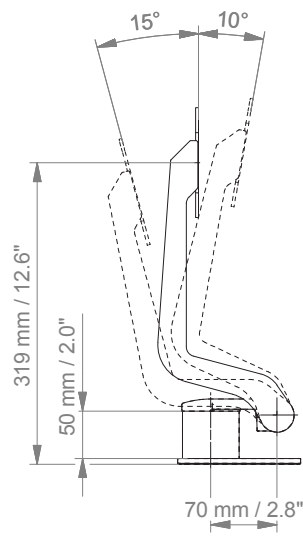
Counter top free-standing  
 T-HK-62.**CD**\_50

**!** All free-standing counter tops have to be tip-tested for stability depending on the weight of the monitor!

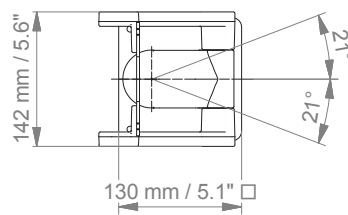
# Counter top for deep monitors

Technical data - with base plate

SIDE VIEW



TOP VIEW



# Cart light duty

**MD**

## Example configuration



### Monitor adaption

CL-bracket, VESA 75/100

### Accessories

5-star base aluminum base with counter weight  
 double wheel castors, ø 100 mm / 3.9", 2 lockable  
 column to accept components and accessories on opposite sides

### Colours to choose **CD**

decorative parts RAL 5013 blue / RAL 7024 graphite grey  
 base RAL 9016 pure white  
 handle RAL 9016 pure white / RAL 5013 blue / RAL 7024 graphite grey

### Max. load capacity

10 kg / 22 lbs

### Optional accessories

basket big 300 x 200 x 180 mm / 11.8 x 7.9 x 7.1"  
 basket small 200 x 150 x 100 mm / 7.9 x 5.9 x 3.9"  
 handle

### Part number

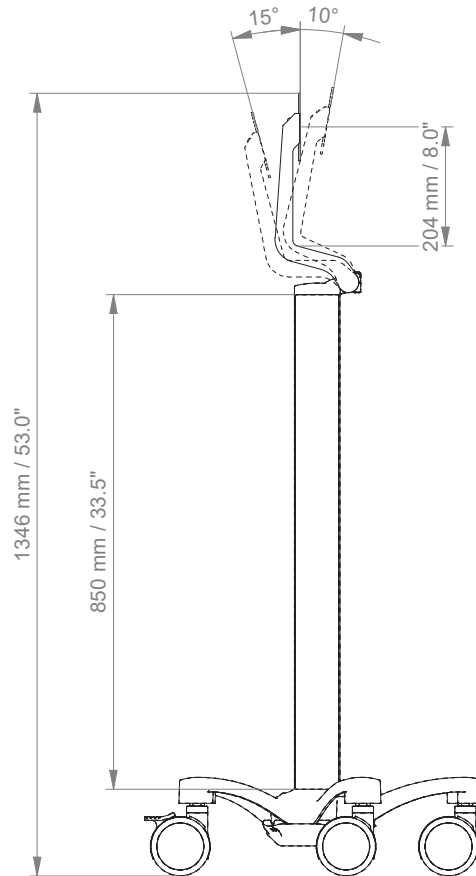
cart	R-002K. <b>CD</b>
basket big	Z-51-4Z.1
basket small	Z-52-4Z.1
handle	Z-HD-4. <b>C1</b>

# Cart light duty

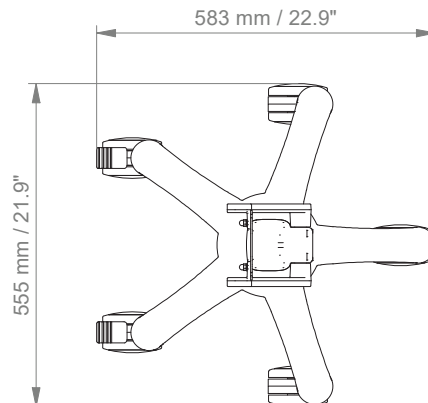
## Technical data

---

### SIDE VIEW



### TOP VIEW



# Cart light duty kit

**MD**

## Kit configuration



### Monitor adaption

CL-bracket, VESA 75/100

### Cart light duty

5-star base aluminum base with counter weight  
double wheel castors,  $\varnothing$  100 mm / 3.9", 2 lockable  
column to accept components and accessories on opposite sides

### Colours

decorative parts RAL 5013 cobalt blue  
base RAL 9016 traffic white  
handle RAL 7024 graphite grey

### Max. load monitor adaptation

10 kg / 22 lbs

### Max. load keyboard tray

1 kg / 2.2 lbs

### Kit number

**R-002K.gr1\_286490**

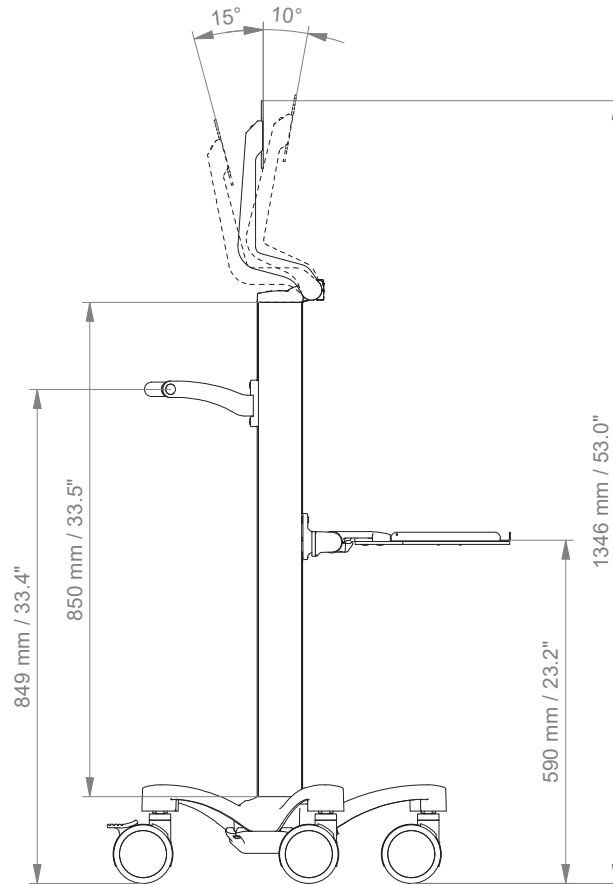
Consisting of the following parts:

R-002K.gr1	cart light duty
Z-HD-4.gr1	handle for carts
Z-EF-4S.gr1_50S	keyboard tray magnetic with fold-up function 500 x 200 mm/ 19.7 x 7.9"

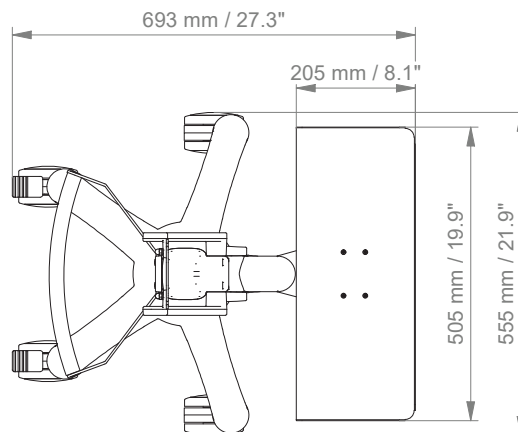
# Cart light duty kit

## Technical data

### SIDE VIEW












### TOP VIEW



## Fixings Y



Illustration	Description	Notes	Weight	Part no.
	Adapter for vertical wall channel	To mount to CIM wall channel (compatible with GCX channel) Please order separately: CIM wall channel, see catalogue accessoires	0.6 kg / 1.3 lbs	4S
	Horizontal rail clamp	To mount to horizontal European rails 10 x 25, 8 x 35, 10 x 30, 10 x 50 mm	1.1 kg / 2.4 lbs	2F
	Vertical rail clamp	To mount to vertical European rail 10 x 25 mm	0.5 kg / 1.1 lbs	3
	Universal pole clamp	V-block to mount to pole $\varnothing$ 23 - 40 mm / 0.9 - 1.6"	0.6 kg / 1.3 lbs	1V
	Fixed pole clamp	To mount to pole $\varnothing$ 25 mm / 1.0" To mount to pole $\varnothing$ 30 mm / 1.2" To mount to pole $\varnothing$ 35 mm / 1.4" To mount to pole $\varnothing$ 38 mm / 1.5"	0.3 kg / 0.7 lbs 0.4 kg / 0.9 lbs 0.4 kg / 0.9 lbs 0.4 kg / 0.9 lbs	1 1B 1F 1C
	Adapter medical supply units	For Mindray medical supply units	0.8 kg / 1.8 lbs	13
	Adapter pendants & headwalls	For Amico pendants & headwalls	0.6 kg / 1.3 lbs	17
	Adapter pendants & headwalls	For Dräger Ambia pendants & headwalls	0.6 kg / 1.3 lbs	19
	Adapter pendants & headwalls	For Löwenstein Medical / ITD / mounting channels	0.4 kg / 0.9 lbs	9



**CIM med GmbH**

Euro-Industriepark  
Margot-Kalinke-Str. 9  
80939 Munich / Germany

T +49 89. 978 94 08-0

---

**CIM med Inc.**

2024 E Independence Commerce Dr  
Matthews, NC 28105 / USA

T +1 855 895 4722

---

[info@cim-med.com](mailto:info@cim-med.com)  
[www.cim-med.com](http://www.cim-med.com)

