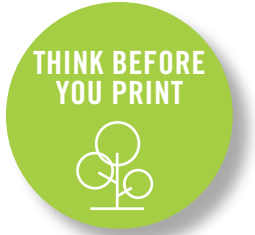




MOUNTING REFERENCE GUIDE

Notebook

CIM Cable Integrated Mounting System



Content

General notes	3
How to create part numbers	4
Product highlights	6
Support arm pivot	7
Extended pivot arm light duty	9
Height adjustable arm	11
Extended height adjustable arm	13
Cart light duty	15
Cart light duty RC	17
Cart light duty kit I	19
Fixings	21

General notes

Components' grounding

All arms with integrated cable management are equipped with **component grounding**. No grounding is required for arms with external or semi-integrated cable management with cables not being led through joints.

Load capacity

All **height adjustable arms** have a load capacity of 22 kg / 48.5 lbs. Rear mounted monitor adaptations and horizontally mounted 5" plunge plates accept a maximum monitor weight of 18 kg / 39.7 lbs. An additional 4 kg / 8.8 lbs may be mounted on a down post underneath the front swivel part. Depending on material and tensile factor all weight indications have a 4-fold and/ or 6-fold safety factor according to IEC 60601-1 standards.

Custom-designed solutions and MRI applications

Please contact us for **custom-designed** solutions.

Product marking

All products which are classified as medical product risk class 1 are CE marked. As **medical product risk class 1** they are conform with the regulations (EU) 2017/745 (MDR) and IEC 60601-1. Other standards of the IEC 60601 series are not applicable to our products, regardless of their version.

MD A stand-alone product that is already classified as a medical product class 1 before being integrated into an overall medical device. The product is CE-marked. A declaration of conformity is available.

~~MD~~ Accessories or spare parts that have no independent function and are therefore not subject to the MDR. These products are not CE-marked. A declaration of conformity is not required.

Warranty

All CIM products have a 5-year warranty to be free of defects in material and functionality from the date of delivery.

How to find the right product for your needs?

No problem with our configurator

<https://cim-configurator.com>



How to create part numbers

Part numbers can be easily created by following the steps below:

Please replace the letters in **green** with the part no. code as per your requirements.

1. Components' grounding:

A = grounded

2. Choose the arm version required:

224TN / 230TN = support arm pivot
 33030TN = extended pivot arm light duty
 431TN = height adjustable arm
 73130TN = extended height adjustable arm

3. Specify where you want to mount the arm and select the fixing (Y):

1V = pole ø 23 - 40 mm / 0.9 - 1.6"
 1 = pole ø 25 mm / 1.0"
 1B = pole ø 30 mm / 1.2"
 1F = pole ø 35 mm / 1.4"
 1C = pole ø 38 mm / 1.5"
 2F = horizontal rails 10 x 25, 8 x 35, 10 x 30, 10 x 50 mm
 3 = vertical rail 10 x 25 mm
 4S = vertical wall channel
 9 = Löwenstein Medical / ITD / mounting channel
 13 = Mindray medical supply units
 17 = Amico pendants & headwalls
 19 = Dräger Ambia pendants & headwalls

4. Choose the colour requested for decorative parts (C):

gr = RAL 7024 (graphite grey)
 bl = RAL 5013 (cobalt blue)

How to create part numbers

5. Choose the colour requested for the aluminium die-cast parts (D):

- 1 = RAL 9016 (traffic white)
 2 = RAL 9002 (grey white)

6. Specify the spring depending on the weight of your monitor/ device - only with height adjustable arms (X):

- 60 = 1 - 4 kg / 2.2 - 8.8 lbs
-

Example

01 Grounding		02 Arm version		03 Fixing		04 & 05 Colour		06 Spring tension
A	-	431TN	-	Y	.	CD	-	60
A	-	431TN	-	4S	.	gr1	-	60

Product highlights

Non-height adjustable arm

Pivot and extended pivot arms offer **full cable integration** and easy cleaning for **infection control** in all critical care areas in the clinical environment. Our **5-years warranty** guarantees reliable, trouble-free and maintenance-free operation. The swivel function at the fixing point as well as the **tilt/ swivel function** of the monitor adaptation offers optimum positioning of your device. The extended pivot arm is a two-part arm with central pivot point between the two arm sections. All bottom-mounted monitors have the safety feature of a **20° tilt stop**.

Height adjustable arm

The height adjustable arm offers **full cable integration**, one-wipe clean surfaces and our **5-year warranty** on the entirety of the product. Vertically and horizontally adjustable, the arm offers optimal positioning of your device. A constant viewing angle when vertically adjusted is guaranteed by a parallel linkage. **Weight-optimized springs counter-balance** the monitor without making any adjustments. All bottom-mounted monitors have the safety feature of a **20° tilt stop**. Individual rotational stops may be integrated in any joint.

To provide the perfect combination of arm and monitor, the CIM articulated height adjustable arm has a simple quarter-turn lock to hold the arm safely in position when removing the monitor. Furthermore the arm is equipped with the unique safety feature of a slow-release gas spring. Should anybody try to remove the monitor before locking the arm in position, the arm will only rise at a slow and even tempo.

SAFETY

Support arm pivot



Notebook tray

360 x 280 mm / 14.2 x 11"

Colours to choose CD

decorative parts RAL 5013 cobalt blue / RAL 7024 graphite grey
 aluminum parts RAL 9016 traffic white / RAL 9002 grey white

Max. load capacity support arm

17 kg / 37.5 lbs

Max. load notebook tray

10 kg / 22 lbs

Product weight

arm type 240	arm type 300
2.5 kg / 9.5": 5.5 lbs	2.6 kg / 11.8": 5.7 lbs

Part number

arm type 240	arm type 300
A-224TN- Y.CD	A-230TN- Y.CD

Fixings Y

details page 21



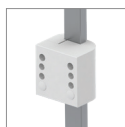
4S

Adapter for vertical wall channel



2F

Horizontal rail clamp



3

Vertical rail clamp



1V

Universal pole clamp



1
1B
1F
1C

Fixed pole clamp



13

Adapter for Mindray medical supply units



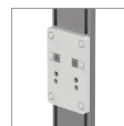
17

Adapter for Amico pendants & headwalls



19

Adapter for Dräger Ambia pendants & headwalls



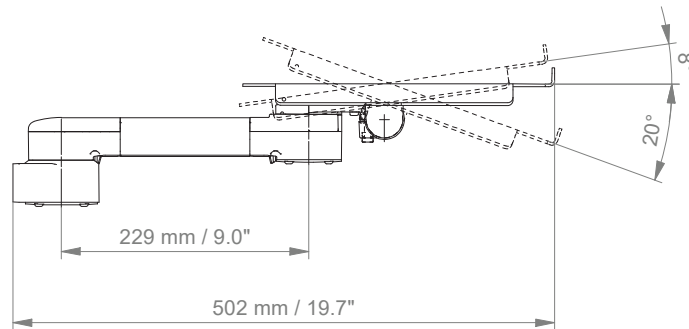
9

Adapter for Löwenstein Medical / ITD / mounting channel

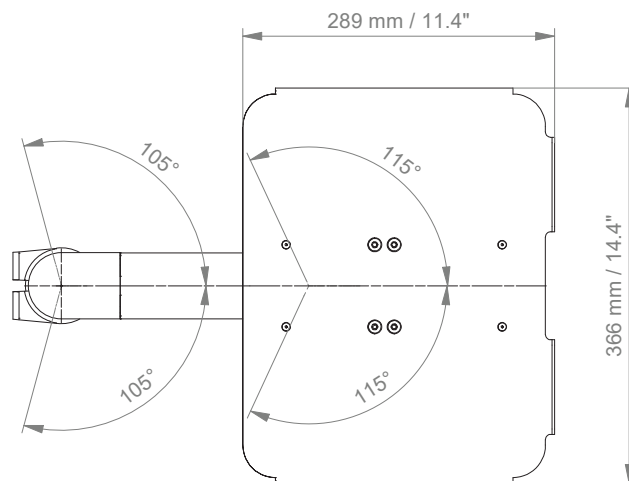
Support arm pivot

Technical data - arm type 300

SIDE VIEW



TOP VIEW



Extended pivot arm light duty



Notebook tray 360 x 280 mm / 14.2 x 11"

Colours to choose **CD** decorative parts RAL 5013 cobalt blue / RAL 7024 graphite grey
aluminum parts RAL 9016 traffic white / RAL 9002 grey white

Max. load capacity support arm 7 kg / 15.4 lbs

Max. load notebook tray 7 kg / 15.4 lbs

Product weight 3.6 kg / 7.9 lbs

Part number A-33030TN-Y.CD

Fixings Y

details page 21



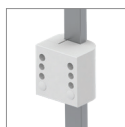
4S

Adapter for vertical wall channel



2F

Horizontal rail clamp



3

Vertical rail clamp



1V

Universal pole clamp



1
1B
1F
1C

Fixed pole clamp



13

Adapter for Mindray medical supply units



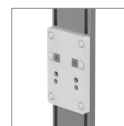
17

Adapter for Amico pendants & headwalls



19

Adapter for Dräger Ambia pendants & headwalls



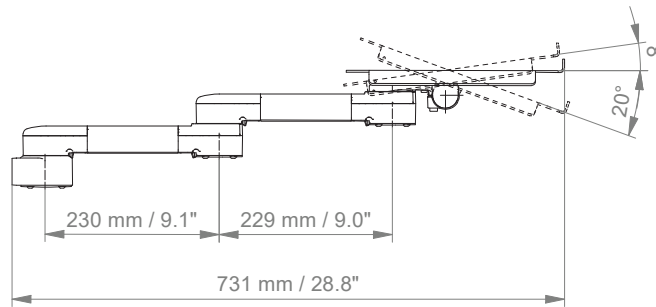
9

Adapter for Löwenstein Medical / ITD / mounting channel

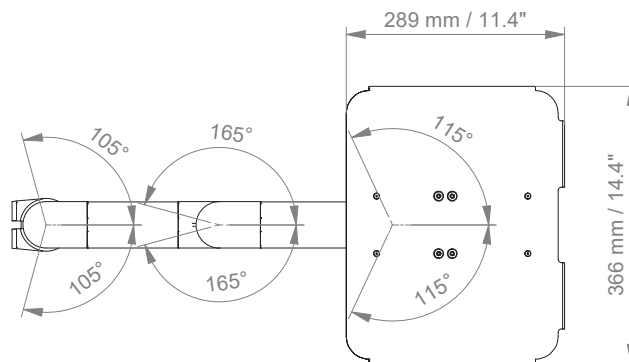
Extended pivot arm light duty

Technical data

SIDE VIEW



TOP VIEW



Height adjustable arm



Notebook tray	360 x 280 mm / 14.2 x 11"
Height adjustment	slow-flowing spring, parallel linkage for a constant viewing angle
Colours to choose CD	decorative parts RAL 5013 cobalt blue / RAL 7024 graphite grey aluminum parts RAL 9016 traffic white / RAL 9002 grey white
Max. load capacity support arm	21 kg / 46.3 lbs
Max. load notebook tray	10 kg / 22 lbs
Product weight	4.6 kg / 10.1 lbs
Balancing range	600 N (1 - 4 kg / 2.2 - 8.8 lbs)
Part number	A-431TN-Y.CD_60

Fixings Y

details page 21



4S

Adapter for vertical wall channel



2F

Horizontal rail clamp



3

Vertical rail clamp



1V

Universal pole clamp



1
1B
1F
1C

Fixed pole clamp



13

Adapter for Mindray medical supply units



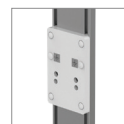
17

Adapter for Amico pendants & headwalls



19

Adapter for Dräger Ambia pendants & headwalls



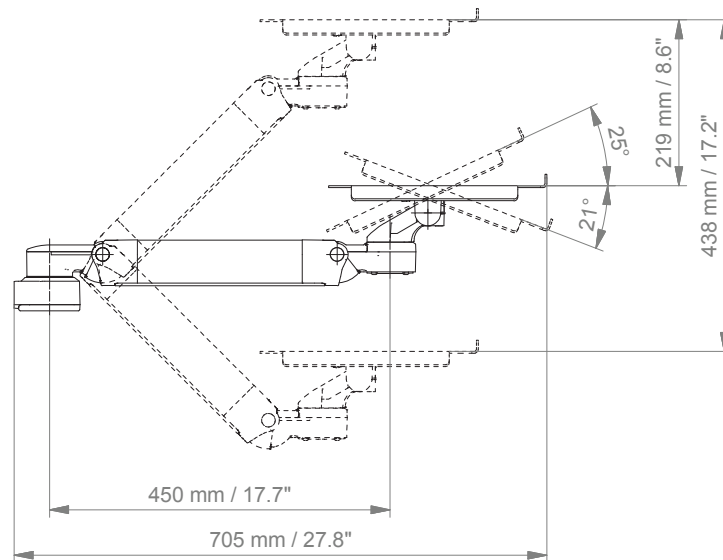
9

Adapter for Löwenstein Medical / ITD / mounting channel

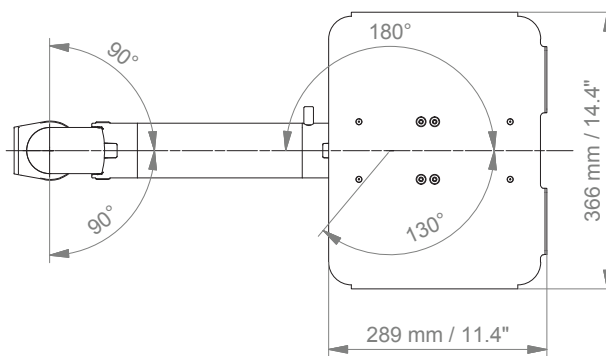
Height adjustable arm

Technical data

SIDE VIEW



TOP VIEW



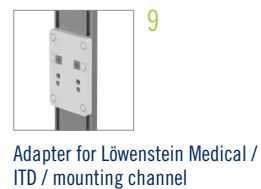
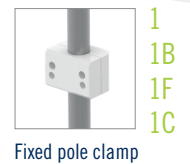
Extended height adjustable arm



Notebook tray	360 x 280 mm / 14.2 x 11"
Height adjustment	slow-flowing spring, parallel linkage for a constant viewing angle
Colours to choose CD	decorative parts RAL 5013 cobalt blue / RAL 7024 graphite grey aluminum parts RAL 9016 traffic white / RAL 9002 grey white
Max. load capacity support arm	21 kg / 46.3 lbs
Max. load notebook tray	10 kg / 22 lbs
Product weight	5.6 kg / 12.3 lbs
Balancing range	600 N (1 - 4 kg / 2.2 - 8.8 lbs)
Part number	A-73130TN-Y.CD_60

Fixings Y

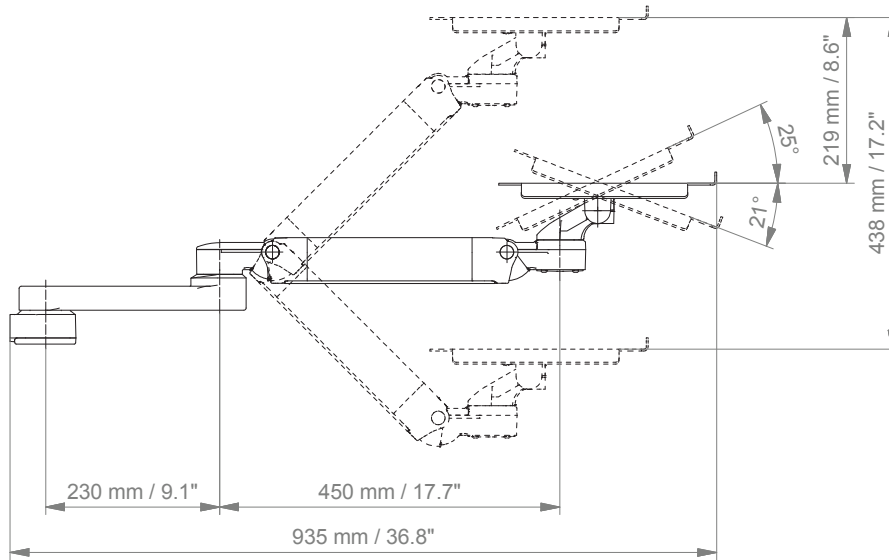
details page 21



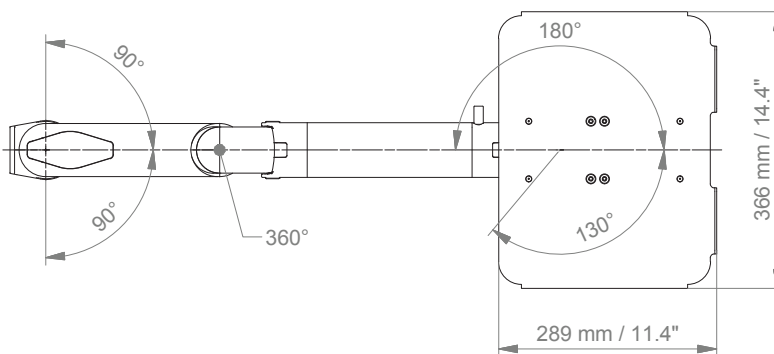
Extended height adjustable arm

Technical data

SIDE VIEW



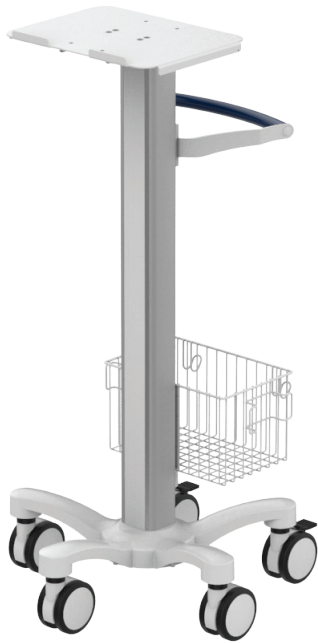
TOP VIEW



Cart light duty



Example configuration



Notebook tray

360 x 280 mm / 14.2 x 11", with tilt function

Accessories

5-star base aluminum base without counter weight
 double wheel castors, ø 100 mm / 3.9", 2 lockable
 column to accept components and accessories on opposite sides

Colours to choose CD

decorative parts	RAL 5013 cobalt blue / RAL 7024 graphite grey
base	RAL 9016 traffic white
handle	RAL 9016 traffic white / RAL 5013 cobalt blue / RAL 7024 graphite grey

Max. load capacity

7 kg / 15.4 lbs (without counter weight)

Optional accessories

basket big 300 x 200 x 180 mm / 11.8 x 7.9 x 7.1"
 basket small 200 x 150 x 100 mm / 7.9 x 5.9 x 3.9"
 handle

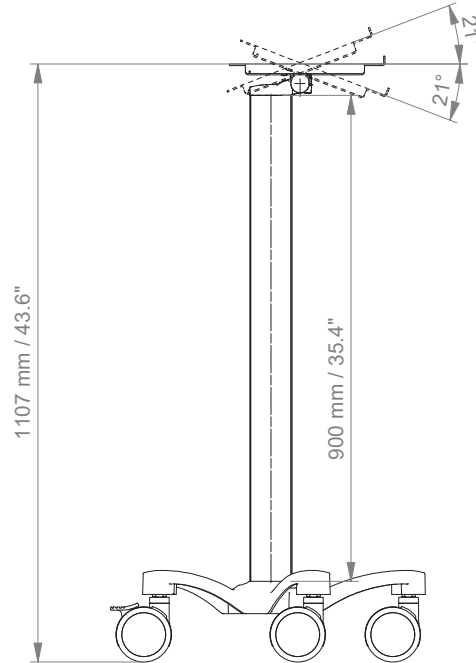
Part number

cart	R-002TN. CD
basket big	Z-51-4Z.1
basket small	Z-52-4Z.1
handle	Z-HD-4. C1

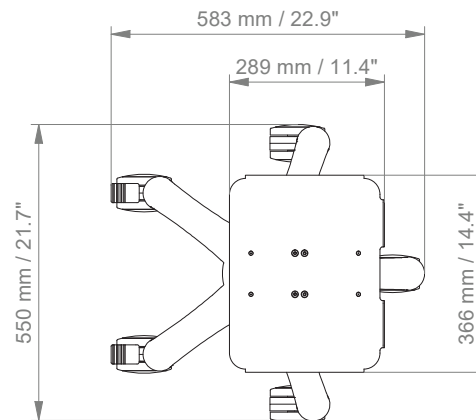
Cart light duty

Technical data

SIDE VIEW



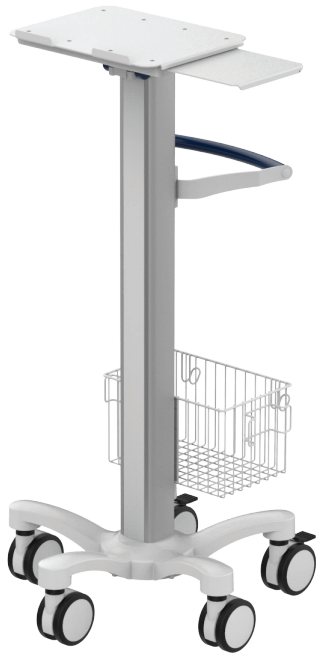
TOP VIEW



Cart light duty RC



Example configuration



Notebook tray

360 x 280 mm / 14.2 x 11", with tilt function and retractable mouse tray

Accessories

5-star base aluminum base without counter weight
 double wheel castors, \varnothing 100 mm / 3.9", 2 lockable
 column to accept components and accessories on opposite sides

Colours to choose C

decorative parts	RAL 5013 cobalt blue / RAL 7024 graphite grey
base	RAL 9016 traffic white
handle	RAL 9016 traffic white / RAL 5013 cobalt blue / RAL 7024 graphite grey

Max. load capacity

7 kg / 15.4 lbs (without counter weight)

Optional accessories

basket big 300 x 200 x 180 mm / 11.8 x 7.9 x 7.1"
 basket small 200 x 150 x 100 mm / 7.9 x 5.9 x 3.9"
 handle

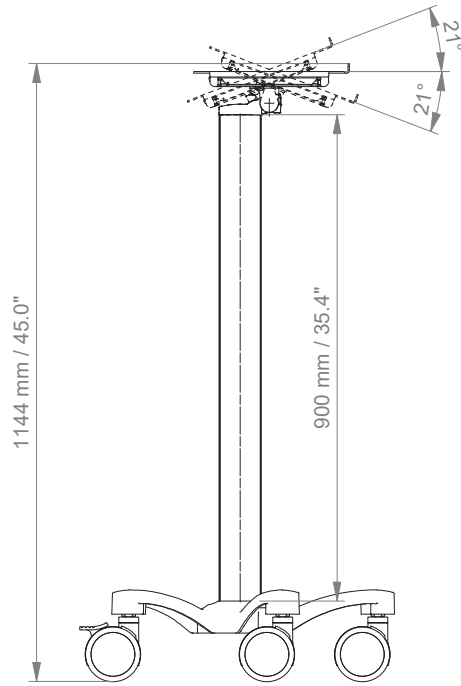
Part number

cart	R-002TN.C1_RC
basket big	Z-51-4Z.1
basket small	Z-52-4Z.1
handle	Z-HD-4.C1

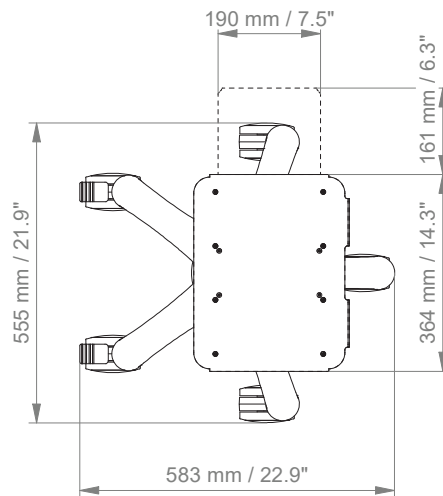
Cart light duty RC

Technical data

SIDE VIEW



TOP VIEW



Cart light duty kit I



Kit configuration



Notebook tray

360 x 280 mm / 14.2 x 11", with tilt function

Cart light duty

5-star base aluminum base with counter weight
double wheel castors, \varnothing 100 mm / 3.9", 2 lockable
column to accept components and accessories on opposite sides

Colours

decorative parts RAL 5013 cobalt blue
base RAL 9016 traffic white
handle RAL 9016 traffic white

Max. load capacity

3 kg / 6.6 lbs notebook tray
1 kg / 2.2 lbs keyboard tray
10 kg / 22 lbs basket

Kit number

R-002TN.b11_285960

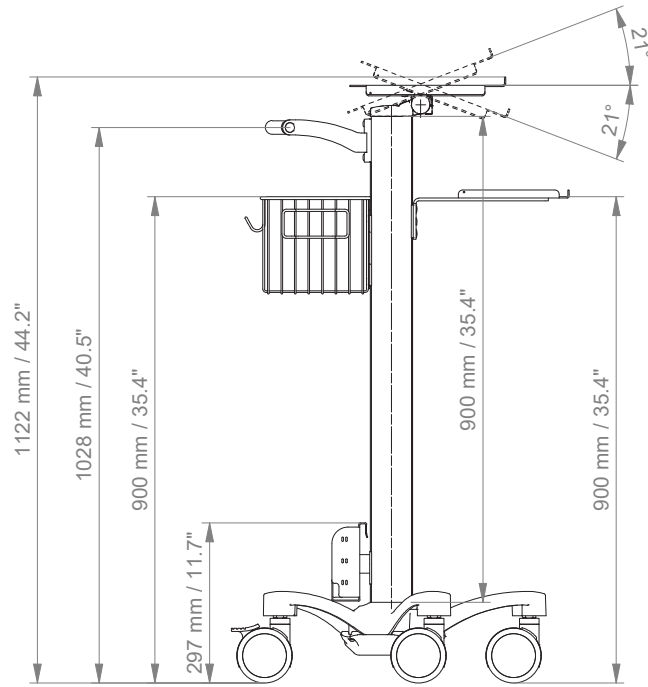
Consisting of the following parts:

R-002TN.b11 cart light duty
Z-51-4Z.1 basket big 300 x 200 x 180 mm / 11.8 x 7.9 x 7.1"
Z-HD-4.w1 handle for carts
Z-E-4Z.1_58 keyboard tray 580 x 200 mm / 22.8 x 7.9"
Z-NH-4Z.1 power supply holster

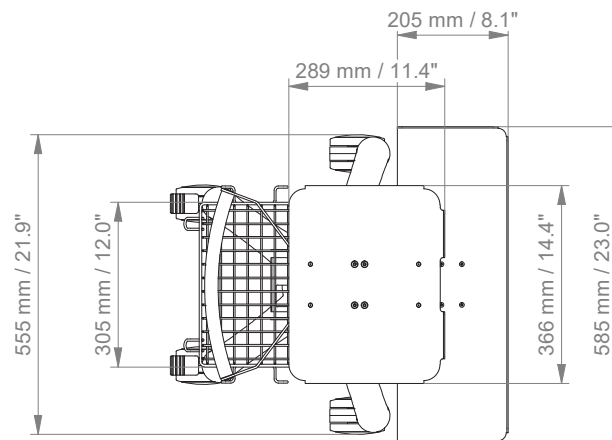
Cart light duty kit I

Technical data

SIDE VIEW












TOP VIEW



Fixings Y



Illustration	Description	Notes	Weight	Part no.
	Adapter for vertical wall channel	To mount to CIM wall channel (compatible with GCX channel) Please order separately: CIM wall channel, see catalogue accessoires	0.6 kg / 1.3 lbs	4S
	Horizontal rail clamp	To mount to horizontal European rails 10 x 25, 8 x 35, 10 x 30, 10 x 50 mm	1.1 kg / 2.4 lbs	2F
	Vertical rail clamp	To mount to vertical European rail 10 x 25 mm	0.5 kg / 1.1 lbs	3
	Universal pole clamp	V-block to mount to pole \varnothing 23 - 40 mm / 0.9 - 1.6"	0.6 kg / 1.3 lbs	1V
	Fixed pole clamp	To mount to pole \varnothing 25 mm / 1.0" To mount to pole \varnothing 30 mm / 1.2" To mount to pole \varnothing 35 mm / 1.4" To mount to pole \varnothing 38 mm / 1.5"	0.3 kg / 0.7 lbs 0.4 kg / 0.9 lbs 0.4 kg / 0.9 lbs 0.4 kg / 0.9 lbs	1 1B 1F 1C
	Adapter medical supply units	For Mindray medical supply units	0.8 kg / 1.8 lbs	13
	Adapter pendants & headwalls	For Amico pendants & headwalls	0.6 kg / 1.3 lbs	17
	Adapter pendants & headwalls	For Dräger Ambia pendants & headwalls	0.6 kg / 1.3 lbs	19
	Adapter pendants & headwalls	For Löwenstein Medical / ITD / mounting channels	0.4 kg / 0.9 lbs	9



CIM med GmbH

Euro-Industriepark
Margot-Kalinke-Str. 9
80939 Munich / Germany

T +49 89. 978 94 08-0

CIM med Inc.

University Executive Park
301 McCullough Drive, Suite 400
Charlotte NC, 28262 / USA

T +1 704 221 0721

info@cim-med.com
www.cim-med.com

