

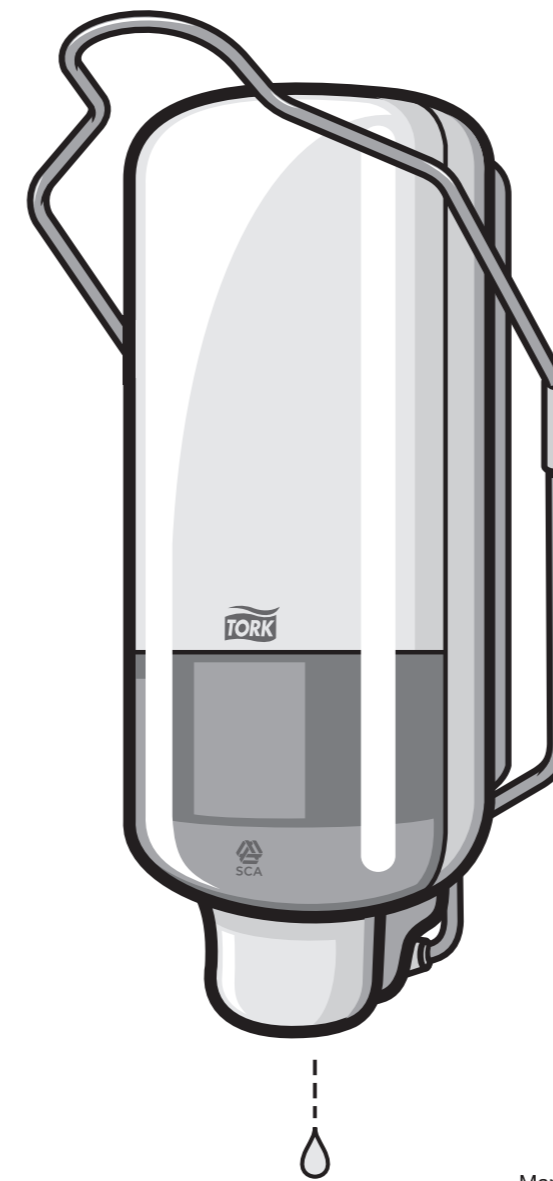
European Community Design Registration RCD 000929971

TORK[®]

Liquid Soap
Dispenser
Arm Lever

S1

Elevation
Design

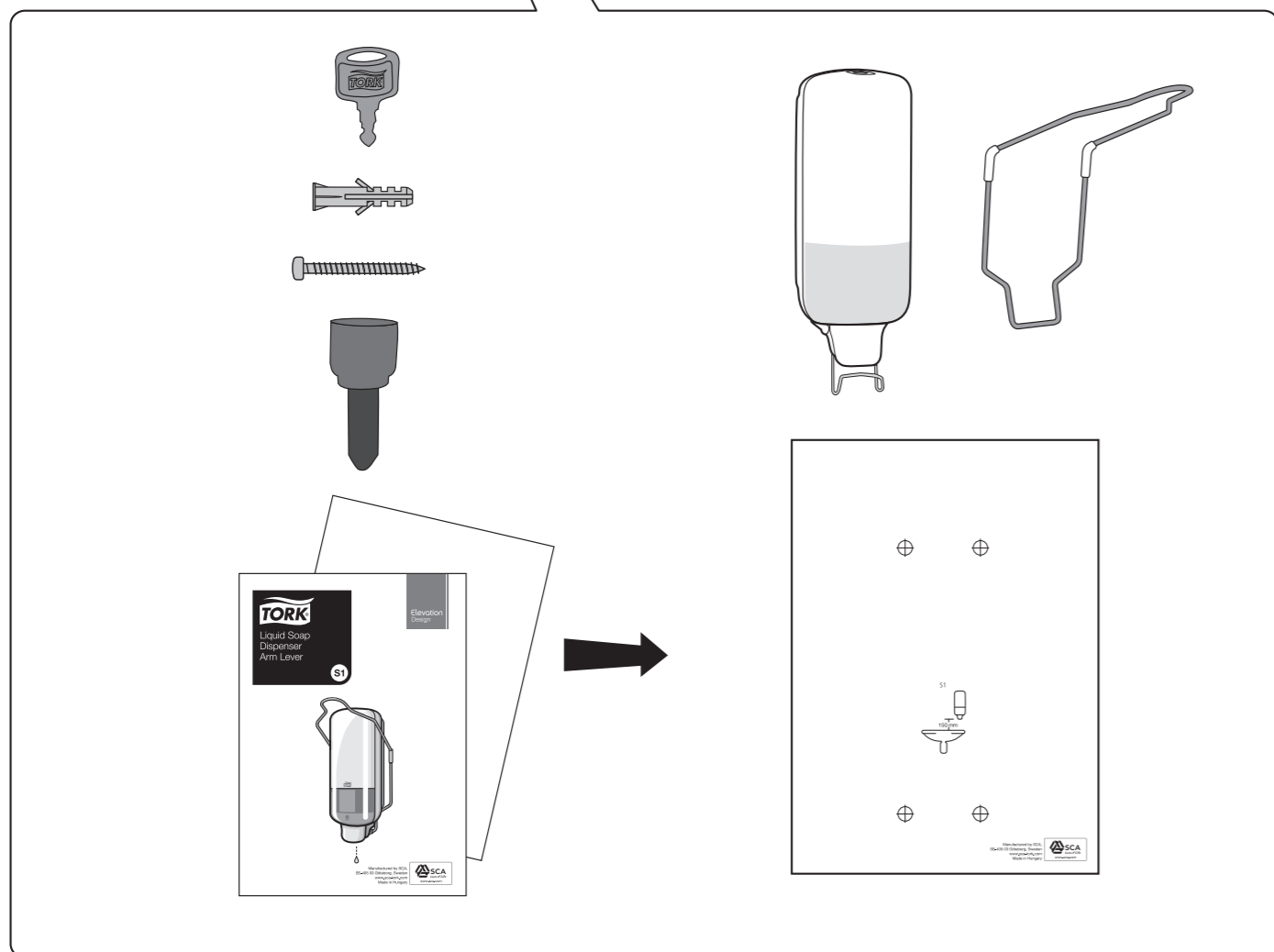
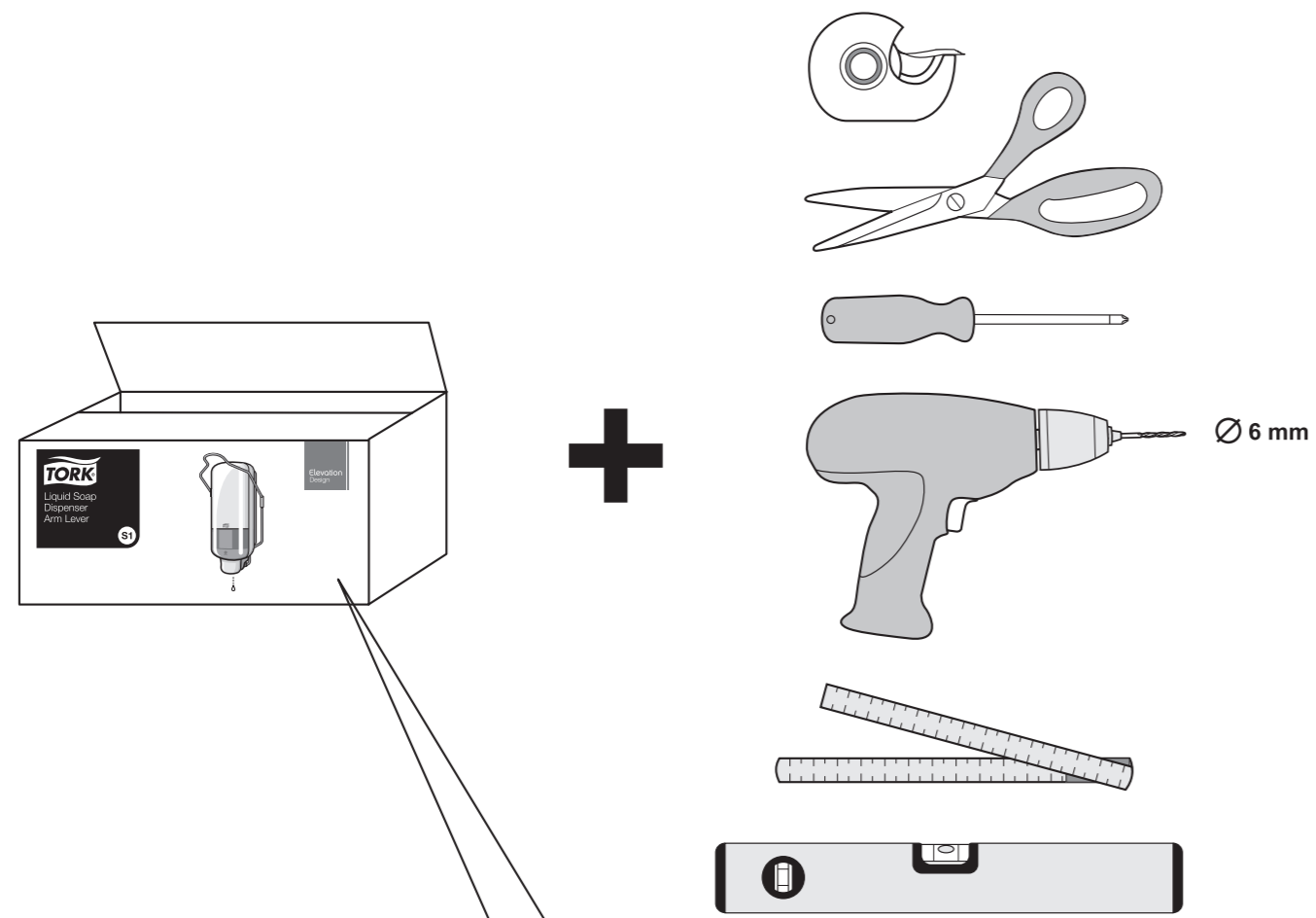


Manufactured by SCA,
SE-405 03 Göteborg, Sweden
www.sca-tork.com
Made in Hungary

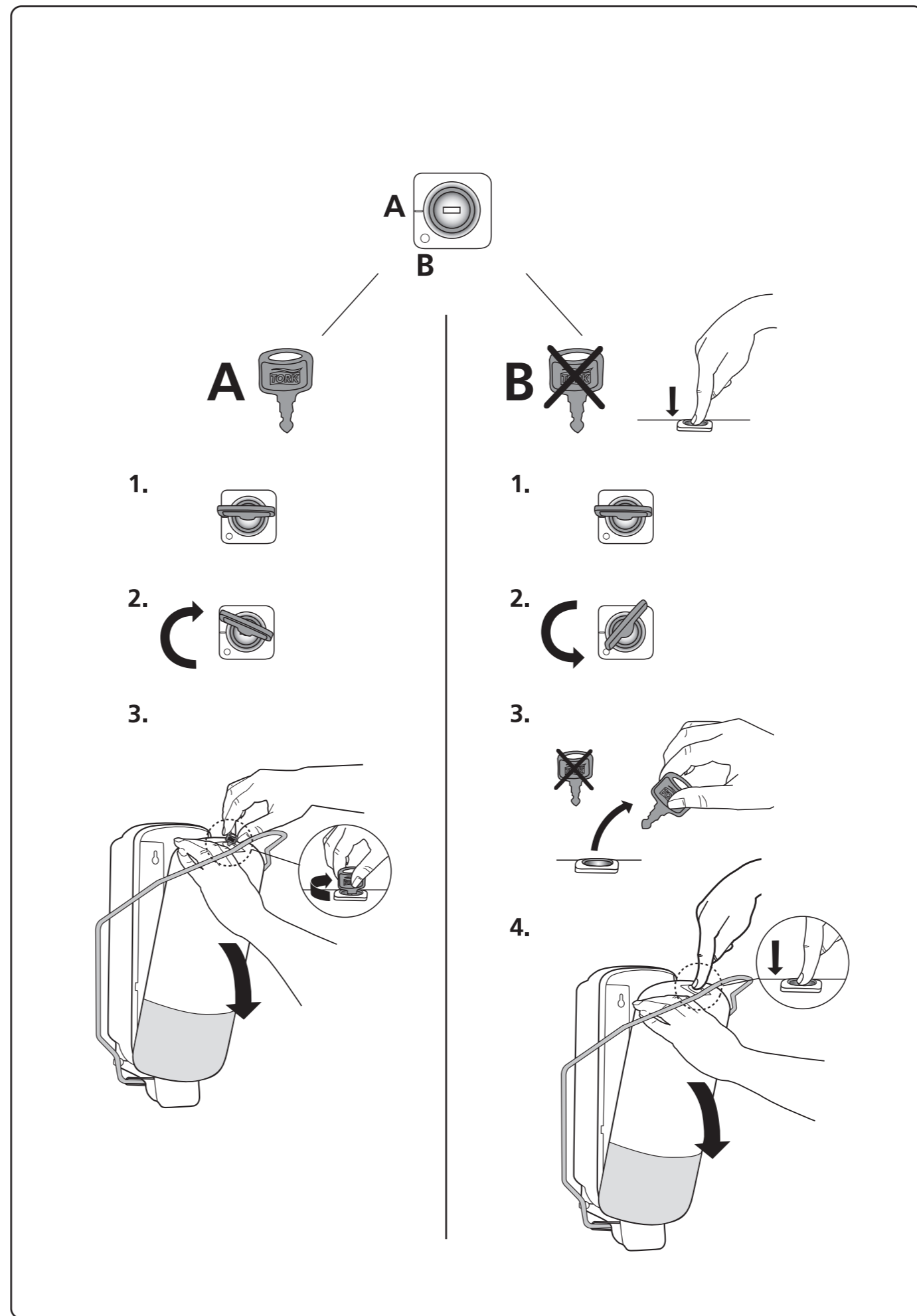


Manufactured by SCA,
SE-405 03 Göteborg, Sweden
www.sca-tork.com
Made in Hungary



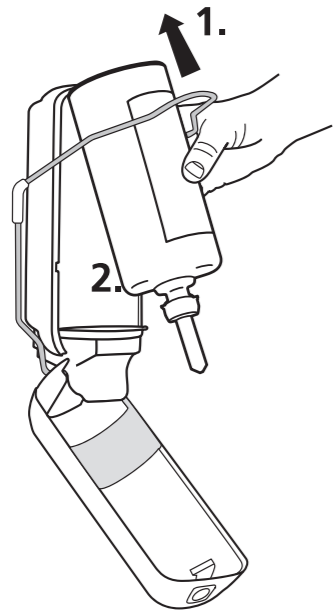


1

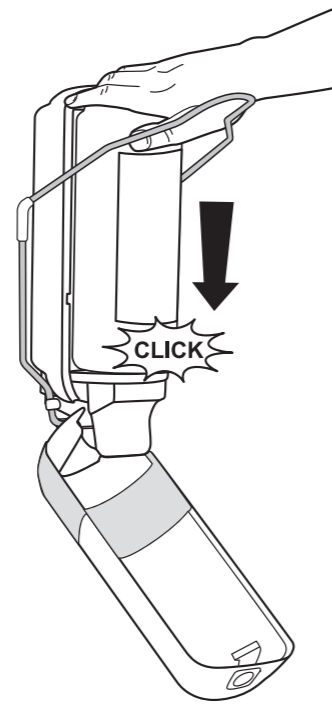


6

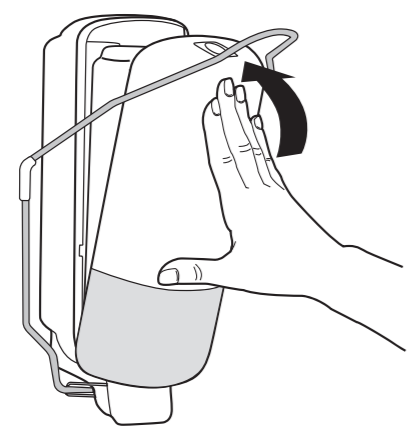
3.



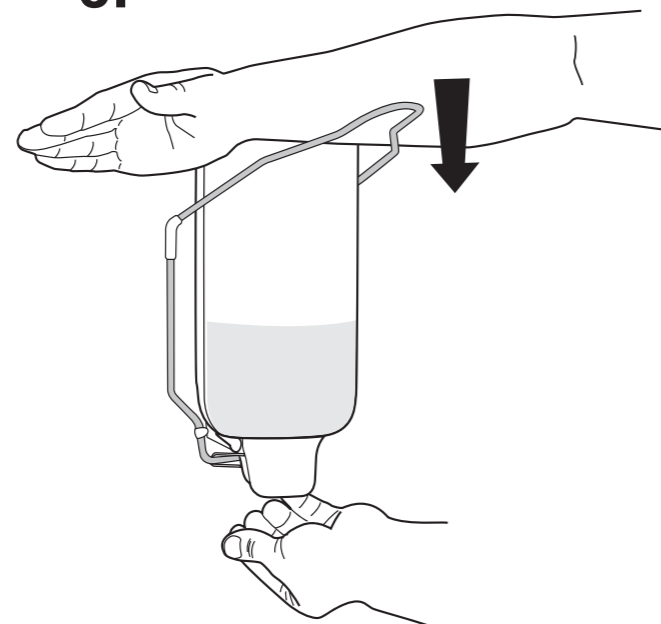
4.



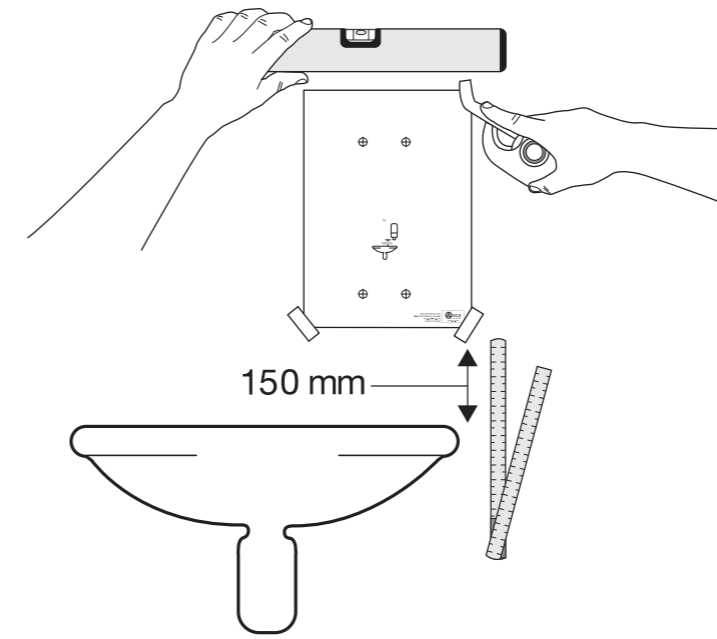
5.



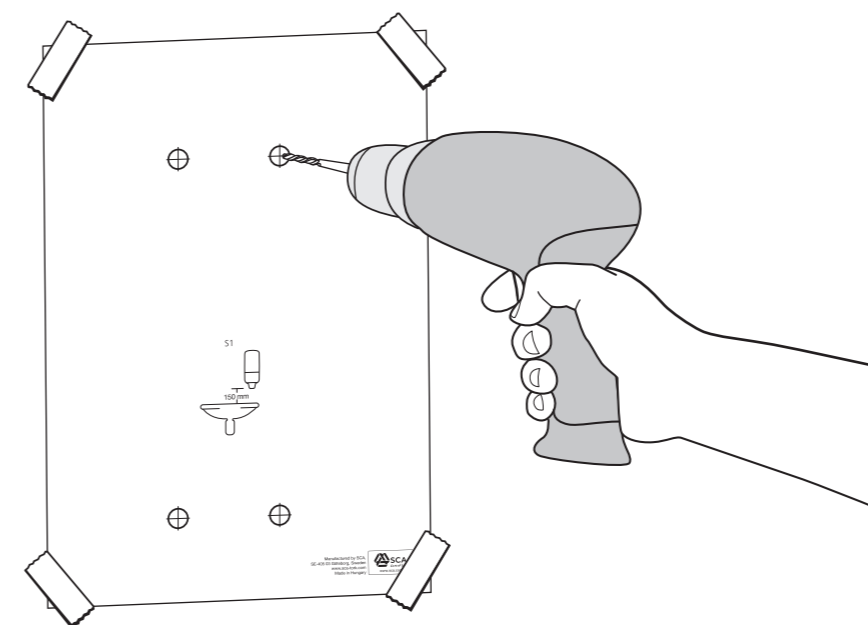
6.



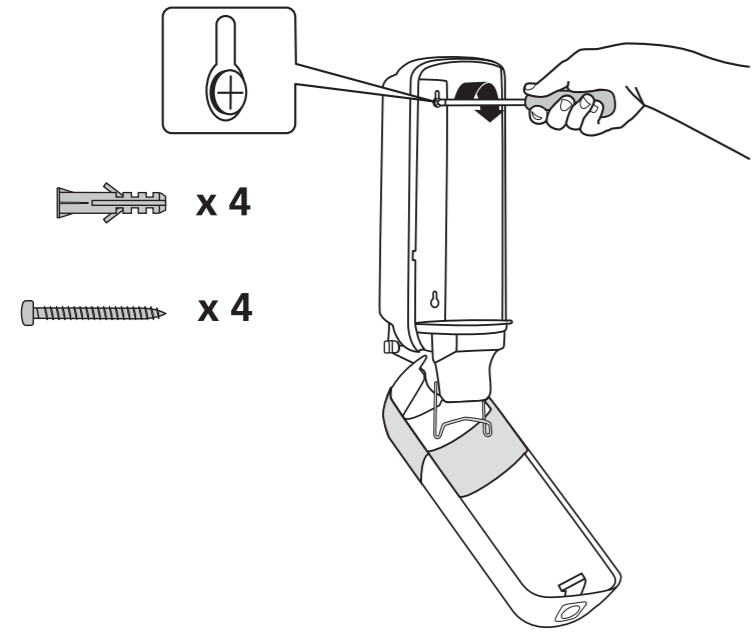
1.



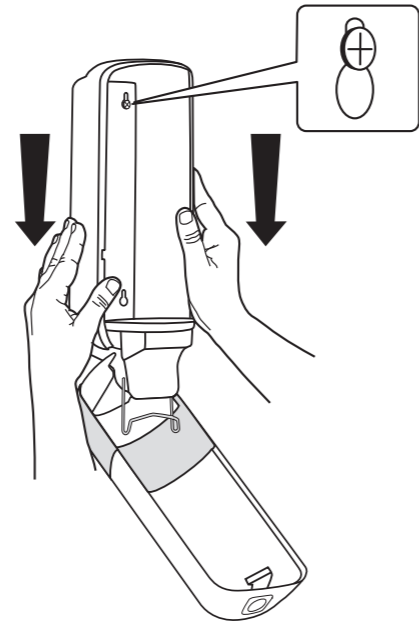
2.



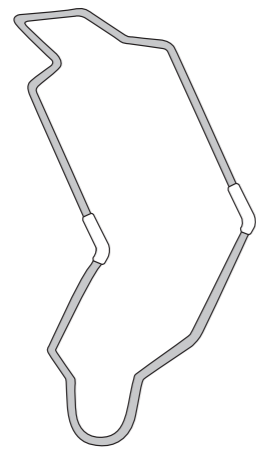
3.



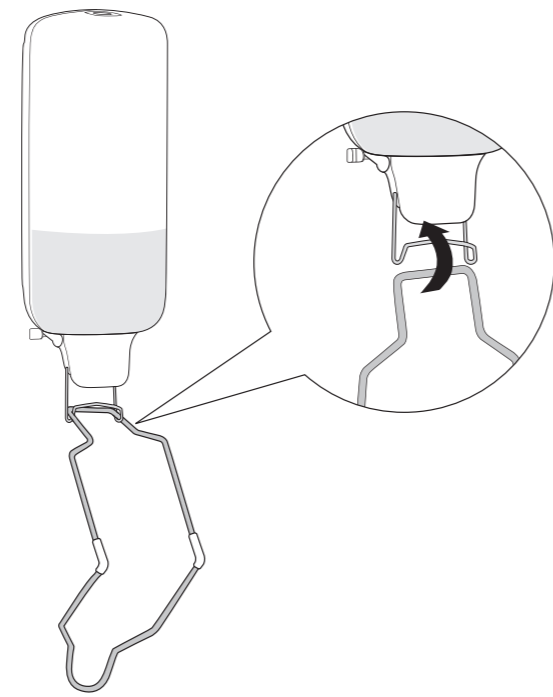
4.



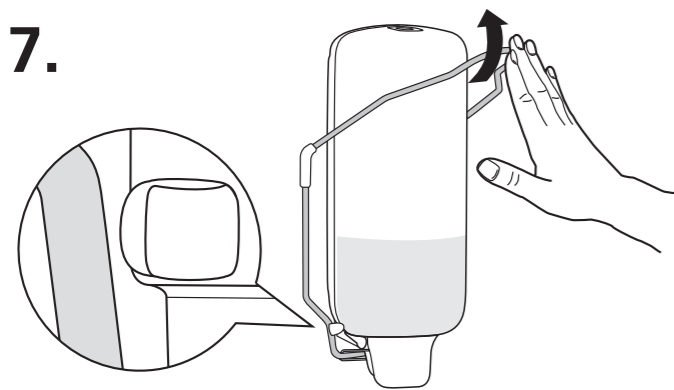
5.



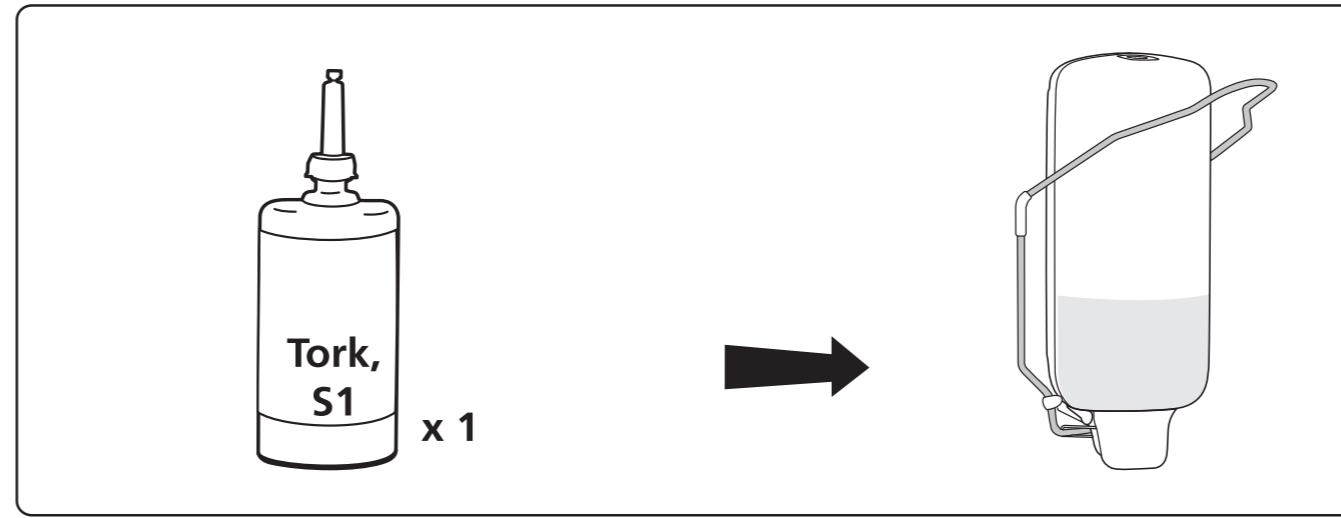
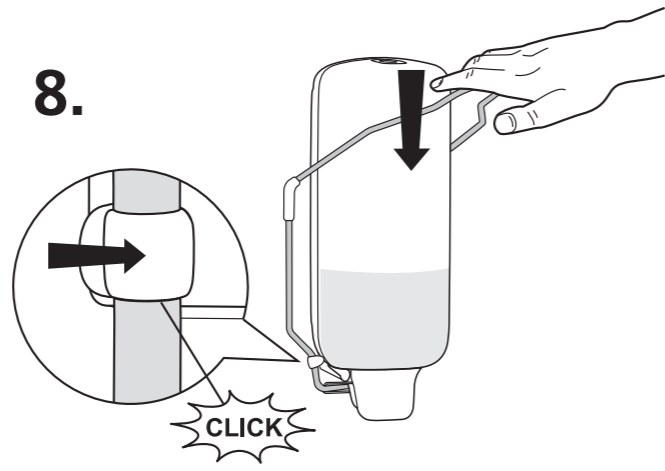
6.



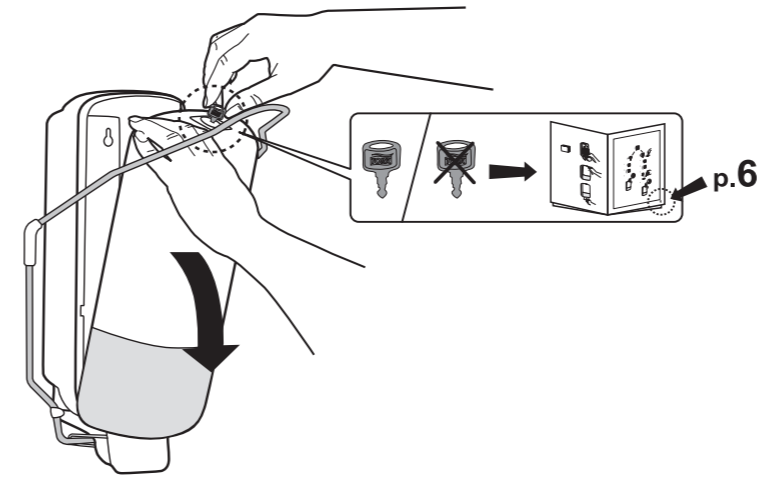
7.



8.



1.



2.

